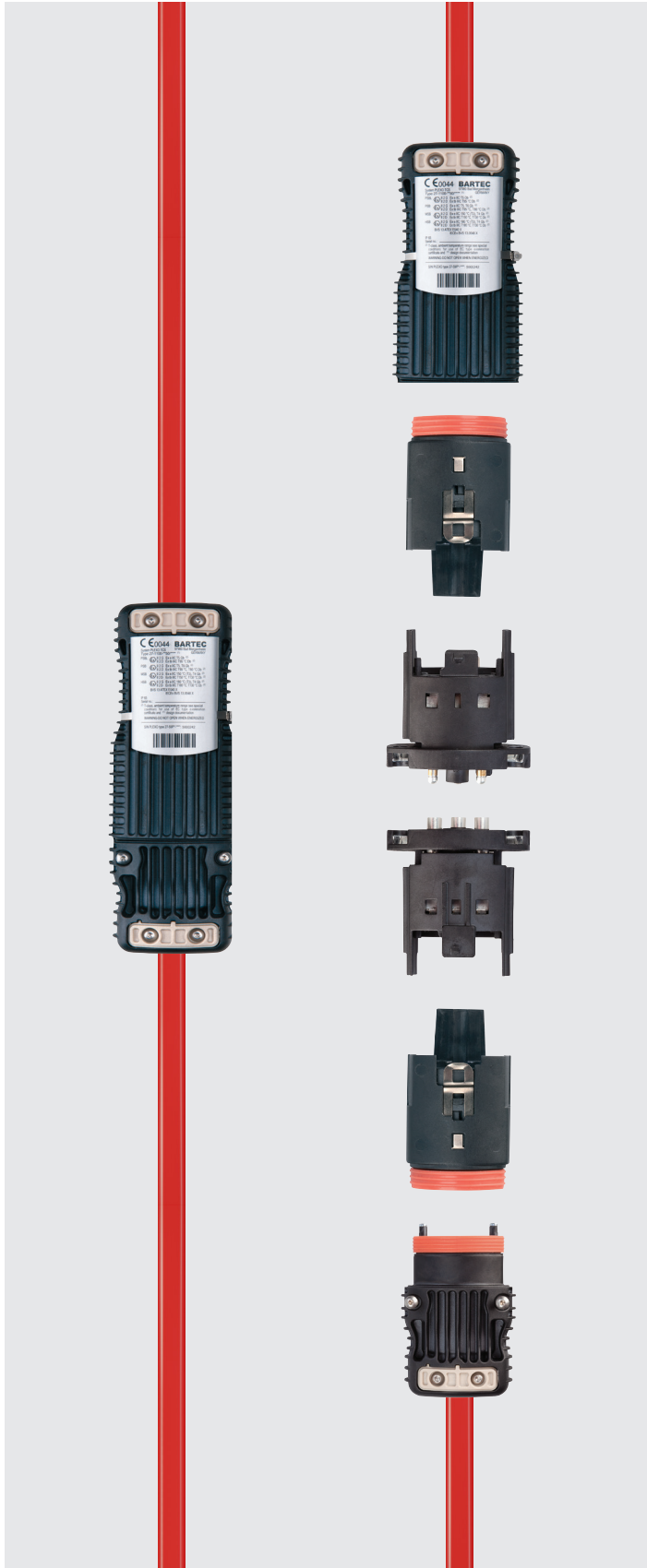


# PLEXO TCS

## Plug-in connection technology for self-regulating heating cables



- Quick and easy installation, with standard tools
- Integrated strain relief: high electrical and mechanical safety
- System approval with PSB, MSB, HSB, and HSB+

The PLEXO TCS connection system can be used for BARTEC self-regulating heating cables. This modular connection technology enables the simple and reliable assembly of supply connections, splicing and remote-end terminations. PLEXO TCS is plugged and built up with a patented sealing and clamping technology. Maintenance work and later modifications on the heating circuit can be performed quickly and flexibly. The strands from the heating cable or the supply cable are fixed in place securely using the spring-loaded terminals in the internal clamping technology.

### Explosion protection

Marking PLEXO TCS with Heating cable PSB	Ⓢ II 2G Ex eb 60079-30-1, IIC T5, T6 Gb Ⓢ II 2D Ex tb 60079-30-1, IIIC T95 °C, T80 °C Db
Marking PLEXO TCS with Heating cable MSB	Ⓢ II 2G Ex eb 60079-30-1, IIC T3, T4 Gb Ⓢ II 2D Ex tb 60079-30-1, IIIC T170 °C, T135 °C Db
Marking PLEXO TCS with Heating cable HSB	Ⓢ II 2G Ex eb 60079-30-1, IIC T3, T4 Gb Ⓢ II 2D Ex tb 60079-30-1, IIIC T170 °C, T135 °C Db
Marking PLEXO TCS with Heating cable HSB+	Ⓢ II 2G Ex eb 60079-30-1, IIC T3 Gb Ⓢ II 2D Ex tb 60079-30-1, IIIC T200 °C Db
Certification PLEXO TCS with heating cables	BVS 13 ATEX E 040 X IECEx BVS 13.0048X

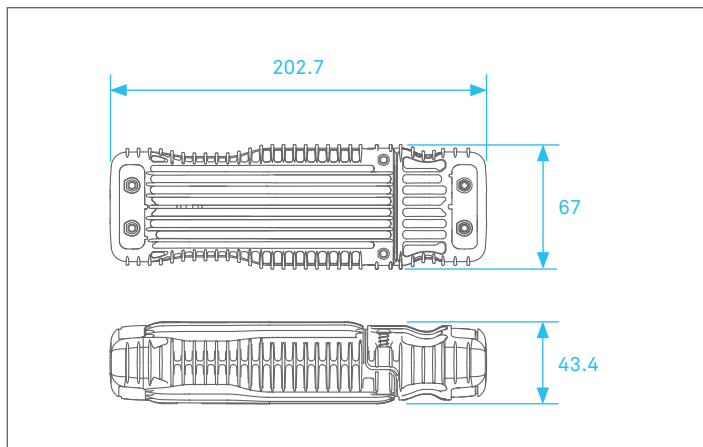
Please refer to the system chapter for the respective system approval. Other approvals, see [bartec.com](http://bartec.com)

### Technical data

Rated voltage	max. 277 V
Rated current	PSB/MSB/HSB/HSB+ max. 32 A
Protection class	EN 60079-0, IP 65 EN 60529, IP 66/IP 68
Operating temperature range	Ex application -60 °C to +160 °C Non Ex application -60 °C to +160 °C Details see certificate
Rated cross-section of supply cable	max. 4 mm <sup>2</sup>
Min. installation temperature	-55 °C
Sealing range supply cable	see ordering information

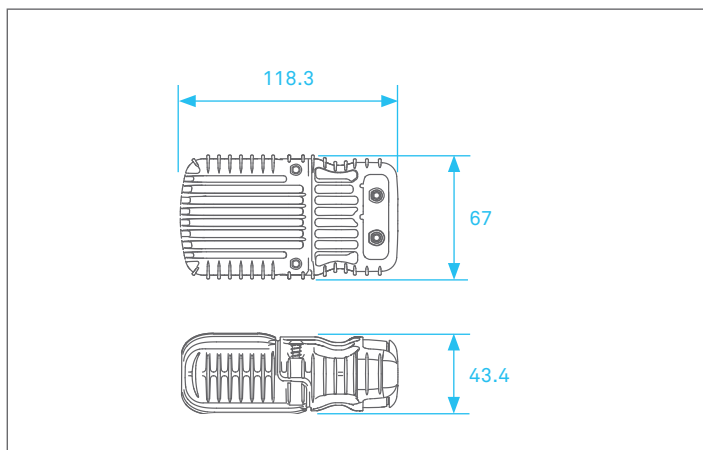
**Dimensions (in mm)**

Type 27-59P1-\*010 and 27-59P2-0110



**Dimensions (in mm)**

Type 27-59P3-0010



**Ordering information**

Heating cable connection to supply cable with sealing range	
$9 < D_A \leq 10$ mm	27-59P1-1010
$10 < D_A \leq 12$ mm	27-59P1-2010
$12 < D_A \leq 14$ mm	27-59P1-3010
$14 < D_A \leq 16$ mm	27-59P1-4010
Heating cable splice with sealing range for PSB, MSB, HSB and HSB+	27-59P2-0110
Heating cable remote-end termination with sealing range for PSB, MSB, HSB and HSB+	27-59P3-0010
Connection cable	
Heat-resistant connection cable with silicone outer sheath (H05SS-F quality, EWKF outer sheath, -50 °C to +180 °C)	
Cross-section 3 x 2.5 mm <sup>2</sup> , D <sub>A</sub> = 9.8 mm	02-4034-0027
Mounting bracket	05-0105-0385

Using the optional mounting bracket and spacer, the PLEXO TCS can be installed outside insulation up to an insulation thickness of 70 mm.