

PLG – NP – EM ...

Conduit fittings, locknuts, bushings, drain/breather valves



Installation:

Hazardous areas – Zone 1/2 (Gases) – Zone 21/22 (Dusts)

Classification: Group II – Category 2G 2D

Reference standards

| | |
|---------------------------------|--|
| Directive 2014/34/EU | |
| Execution | <ul style="list-style-type: none"> ⊕ II 2 G Ex db IIC Gb ⊕ II 2 G Ex eb IIC Gb ⊕ II 2 D Ex tb IIIC Db |
| Rules of compliance | EN/IEC 60079-0; EN/IEC 60079-1; EN/IEC 60079-7; EN/IEC 60079-31 |
| EU type-examination certificate | INERIS 16 ATEX 0007X EXA 14 ATEX 0059U (drain breather valve) |
| Protection degree | IP66 |
| Ambient temperature | 60 °C ÷ +130 °C |
| Other available certificates | IECEx: IECEx INE 16.0014X IECEx EXA 14.0004U (drain breather valve) INMETRO: CEPEL 13.2219U (plug) CEPEL 13.2221U (drain breather valve) CEPEL 13.2225U (nipples and coupling) CEPEL 13.2227U (elbows) UL NEC-505: E465038-20131101 E465038-20160219 CCC: 2022122313115041 CCOE-PESO: P531830 (for PLG) – P531825 (for ECD) ECASEx: 23-06-22481/Q23-06-048569/NB0002 KC: in progress (for ECD and PLG only) |

Mechanical characteristics

| | |
|-----------------------|--|
| Plugs – locknuts | |
| Material – plugs | Marine grade copper free aluminum light alloy – galvanized steel – stainless steel – nichel plated brass |
| Material – locknuts | Galvanized steel – stainless steel nichel plated brass – aluminium |
| Elbows . bushings | |
| Material | Marine grade copper free aluminum light alloy – galvanized steel |
| Screws | Stainless steel (DBT only) |
| Nipples – couplings | |
| Material | Galvanized steel – stainless steel (nipples only) |
| Drain/Breather valves | |
| Material | Stainless steel AISI 316L |
| Gasket | Silicon rubber |



On Request Accessories

- Different threads from standard
- Different metal materials from standard



Technical Features

| Detail "A" | | Detail "B" | | Detail "C" | |
|------------|--------|------------|--------|------------|--------|
| Male plugs | | Nipples | | Coupling | |
| Type | ØD | Type | ØD | Type | ØD |
| PLG1 | 1/2" | NP1 | 1/2" | EM1 | 1/2" |
| PLG2 | 3/4" | NP2 | 3/4" | EM2 | 3/4" |
| PLG3 | 1" | NP3 | 1" | EM3 | 1" |
| PLG4 | 1-1/4" | NP4 | 1-1/4" | EM4 | 1-1/4" |
| PLG5 | 1-1/2" | NP5 | 1-1/2" | EM5 | 1-1/2" |
| PLG6 | 2" | NP6 | 2" | EM6 | 2" |
| PLG7 | 2-1/2" | NP7 | 2-1/2" | EM7 | 2-1/2" |
| PLG8 | 3" | NP8 | 3" | EM8 | 3" |
| PLG9 | 3-1/2" | NP9 | 3-1/2" | EM9 | 3-1/2" |
| PLG10 | 4" | NP10 | 4" | EM10 | 4" |
| PLG11 | 5" | NP11 | 5" | EM11 | 5" |
| PLG12 | 6" | NP12 | 6" | EM12 | 6" |

| Detail "D" | | Detail "E" | | Detail "F" | |
|------------------------------|--------|----------------------------|--------|--------------------------|--------|
| 90deg Elbows female – female | | 90deg Elbows female – male | | 90deg Elbows male – male | |
| Type | ØD | Type | ØD | Type | ØD |
| ELF1 | 1/2" | ELFM1 | 1/2" | ELM1 | 1/2" |
| ELF2 | 3/4" | ELFM2 | 3/4" | ELM2 | 3/4" |
| ELF3 | 1" | ELFM3 | 1" | ELM3 | 1" |
| ELF4 | 1-1/4" | ELFM4 | 1-1/4" | ELM4 | 1-1/4" |
| ELF5 | 1-1/2" | ELFM5 | 1-1/2" | ELM5 | 1-1/2" |
| ELF6 | 2" | ELFM6 | 2" | ELM6 | 2" |
| ELF7 | 2-1/2" | ELFM7 | 2-1/2" | ELM7 | 2-1/2" |
| ELF8 | 3" | ELFM8 | 3" | ELM8 | 3" |
| ELF9 | 3-1/2" | ELFM9 | 3-1/2" | ELM9 | 3-1/2" |
| ELF10 | 4" | ELFM10 | 4" | ELM10 | 4" |
| ELF11 | 5" | ELFM11 | 5" | ELM11 | 5" |
| ELF12 | 6" | ELFM12 | 6" | ELM12 | 6" |

| Detail "G" | | Detail "H" | | Detail "I" | |
|--------------|--------|--------------|--------|--------------------------------|--------|
| Locknuts (*) | | Bushings (*) | | Bushings with earth screws (*) | |
| Type | ØD | Type | ØD | Type | ØD |
| DL1 | 1/2" | DB1 | 1/2" | DBT1 | 1/2" |
| DL2 | 3/4" | DB2 | 3/4" | DBT2 | 3/4" |
| DL3 | 1" | DB3 | 1" | DBT3 | 1" |
| DL4 | 1-1/4" | DB4 | 1-1/4" | DBT4 | 1-1/4" |
| DL5 | 1-1/2" | DB5 | 1-1/2" | DBT5 | 1-1/2" |
| DL6 | 2" | DB6 | 2" | DBT6 | 2" |
| DL7 | 2-1/2" | DB7 | 2-1/2" | DBT7 | 2-1/2" |
| DL8 | 3" | DB8 | 3" | DBT8 | 3" |
| DL10 | 4" | DB10 | 4" | DBT10 | 4" |

(*) Remark: locknuts DL type and bushings DB-DBT type are not covered by Ex certificate.

Technical Features

| Detail "L" | | Detail "M" | | Detail "N" | |
|---|-----|---|----------|---|-----|
| Drain/Breather valve for Ex d... enclosures | | Drain/Breather valve for Ex d... enclosures | | Drain/Breather valve for ESA/ESX enclosures | |
| Type | ØD | Type | ØD | Type | ØD |
| ECD1MX | M20 | ECD1NX | 1/2" NPT | ECDE | M20 |

Identification stopping plugs selection table

| |
|--|
| Type (Fig.0) |
| PLG |
| Thread / Diameter |
| 01 / 02 / 03 / 04 / 05 / 06 / 06 / 07 / 08 / 09 / 10 / 11 / 12 |
| Type of thread |
| R-Rc (EN 10226-2), P (PG), N (NPT), G (ISO 228), M (ISO-metric) |
| Material |
| IX (stainless steel), ON (brass) |

| | Type | Thread/Diameter | Type of thread | Material |
|-----------|------|-----------------|----------------|----------|
| Example 1 | PLG | 6 | R-Rc | ON |
| Example 2 | PLG | 3 | N | IX |
| Example 3 | PLG | 2 | G | IX |
| Example 4 | PLG | 2 | M | IX |
| Example 5 | PLG | 5 | R-Rc | IX |

Example 1: PLG6KON= Nickel plated brass stopping plug 2"UNI-6125

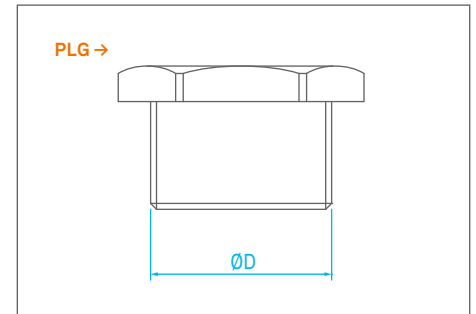
Example 2: PLG3NIX= Stainless steel aisi-316l stopping plug 1"NPT

Example 3: PLG20GIX= Stainless steel aisi-316l stopping plug 3/4"ISO-228

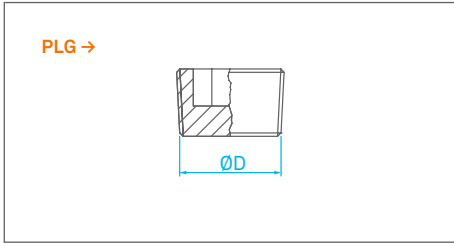
Example 4: PLG2MIX= Stainless steel aisi-316l stopping plug ISO-M25

Example 5: PLG5KIX= Stainless steel aisi-316l stopping plug 1 1/2"UNI-6125

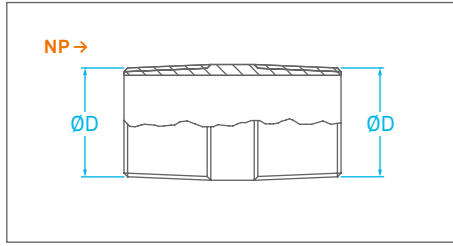
Det. 0



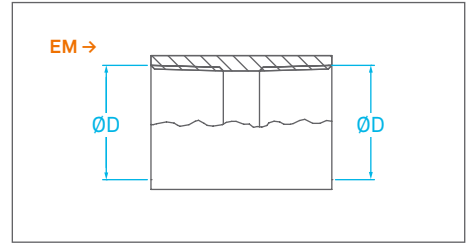
Det. A



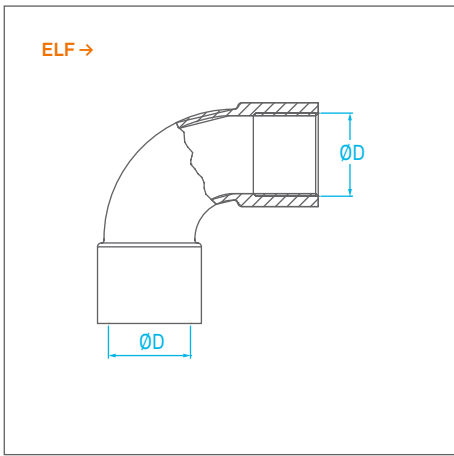
Det. B



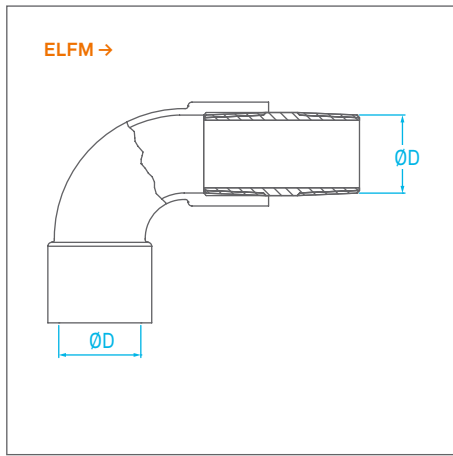
Det. C



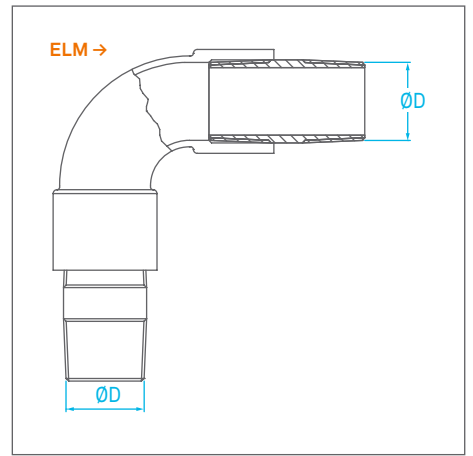
Det. D



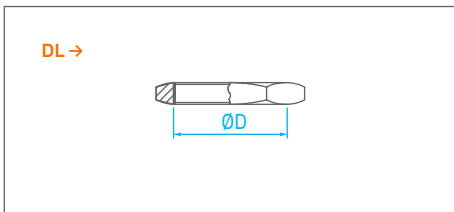
Det. E



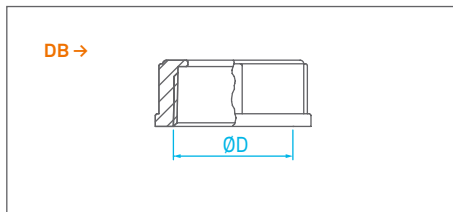
Det. F



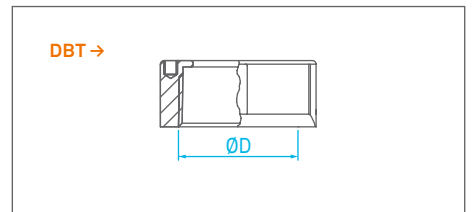
Det. G



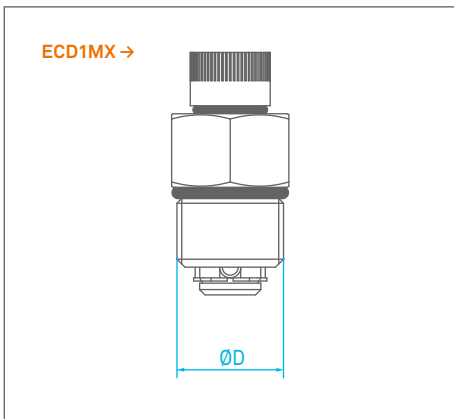
Det. H



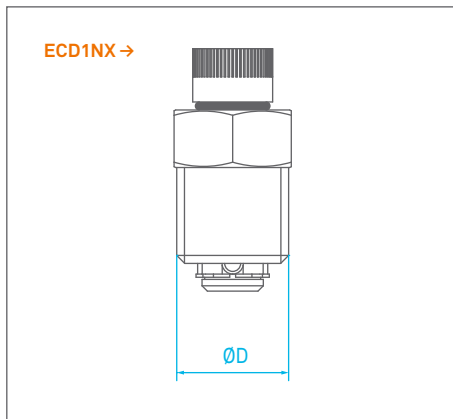
Det. I



Det. L



Det. M



Det. N

