

EVO - EVT

Directly supplied lighting fixtures



Installation

hazardous areas - Zone 1 / 2 (Gases)
Zone 21 / 22 (Dusts)

Classification

Group II - Category 2G 2D

Mechanical characteristics

Body	marine grade copper free aluminium
Diffuser	borosilicate frontal glass (EVT)
Diffuser	tempered frontal glass (EVO)
Painting	external epoxy powders grey RAL-9006 colour
Screws	external stainless steel
Gaskets	silicon rubber
Cable entry	3/4" NPT size threaded
Protection guard	galvanized wire steel (EVT ONLY)

Electrical characteristics

Power supply	standard voltage 230V - 50Hz
Lampholders	porcelain E27 size
Internal wiring	high-temperature resistant silicon rubber insulation cables
Terminals	suitable up to 4 mm ² cables

On Request Accessories

- External painting colour on request
- Threaded cable entry different than standard

Reference standard

Directive 2014/34/EU	
Execution	EVO ⊕ II 2 G Ex d IIC T6-T5-T3 Gb ⊕ II 2 D Ex tb IIIC T85 °C-T100°C-T200 °C Db EVT ⊕ II 2 G Ex d IIC T6-T4-T3 Gb ⊕ II 2 D Ex tb IIIC T85 °C-T135°C- T150 °C Db
Rules of compliance	EN/IEC 60079-0; EN/IEC 60079-1; EN/IEC 60079-31; EN/IEC 61241-0; EN/IEC 61241-1
EU Type-Examination Certificate	INERIS 01 ATEX 0039X (EVO) INERIS 01 ATEX 0040 (EVT)
Protection degree	IP66
Ambient temperature	-60°C ÷ +60°C (EVO - EVT)
Other available certificates	IECEX: IECEX INE 12.0018X (EVO) IECEX INE 12.0027X (EVT) INMETRO: CEPEL 12.2157 (EVO) CEPEL 12.2155 (EVT)



Technical data

Code	Lamp type and power	Temperature class (gas)	Temperature class (dust)	Lampholder size	Cable entry size	Detail
Lighting fixture directly supplied - power supply 220/230v-50Hz						
EVO100	100 W incandescent*	T3	T 200 °C	E-27	1 x 3/4"	A
	105 W halogen*	T3	T 200 °C	E-27	1 x 3/4"	A
	12 W LED	T6 / T5	T 85 °C / T 100 °C	E-27	1 x 3/4"	A
EVT100	100 W incandescent*	T4 / T3	T135 °C / T150 °C	E-27	2 x 3/4"	B
	105 W halogen*	T4 / T3	T135 °C / T150 °C	E-27	2 x 3/4"	B
	6 W LED	T6	T 85 °C	E-27	2 x 3/4"	B

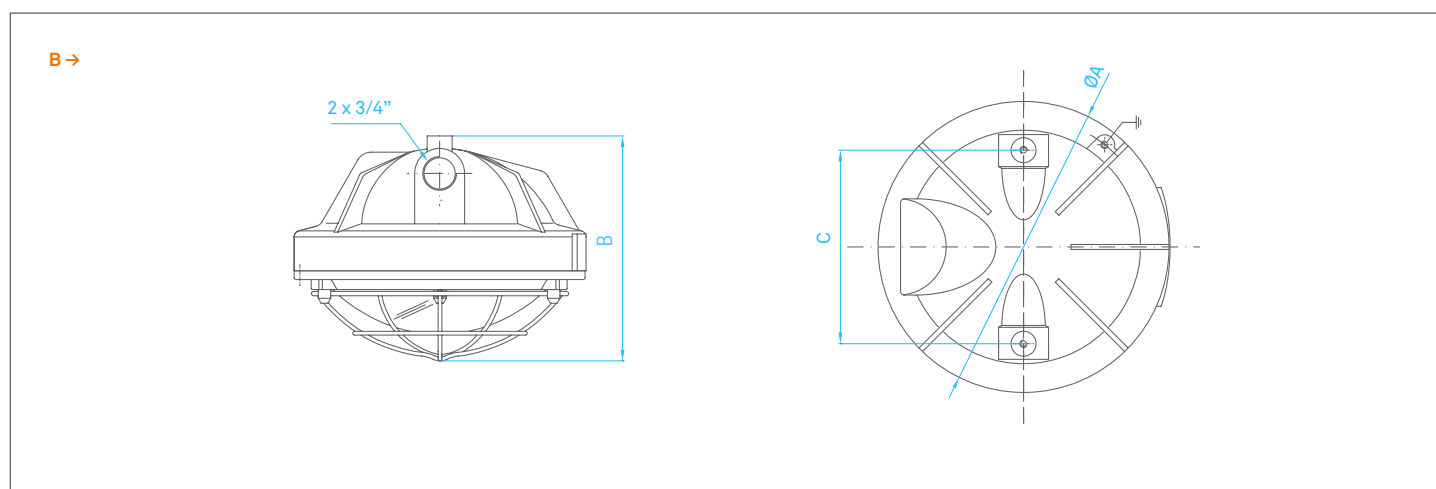
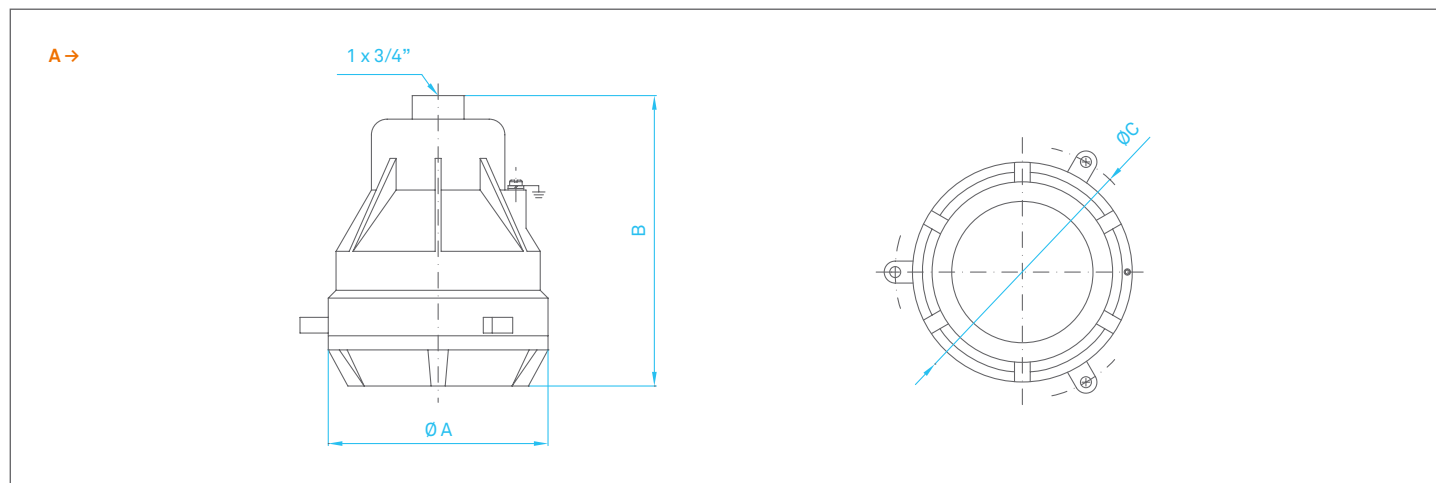
* lamp not included.

Technical featurese

Code	A [mm]	B [mm]	C [mm]	Weight [kg]	Cable entry	Detail
EVO100	Ø140	185	Ø162	2,00	1 x 3/4"	A
EVT100	Ø233	180	Ø155	4,00	2 x 3/4"	B

* lamp not included.

Reference details



REMARK:

Due to the development of the national and international specifications and of the technology, the above technical characteristics showed on this bulletin can be considered as binding on our confirmation only.