

Control and signal device actuators and accessories

Typ 07-3400-****/****



For the ComEx modules type 07-33**-****/**** there are a large number of control and signal device actuator are available in different versions. All control and signal device actuator are made of high-quality thermoplastic and can be used in almost all potentially explosive areas.

The Control and signal design devices enables easy and safe mounting and can be complemented by useful accessories. The components are developed and certified for global hazardous areas.

- Easy installation
- Certified for Zone 1 and 21
- High IP rating up to IP67 and NEMA 4X
- operating temperature
-55 °C to +70 °C (-67 °F to +158 °F)
- Emergency stop acc. to IEC 60947-5-5 & UL 60947-5-5
- Globally certified

Explosion protection

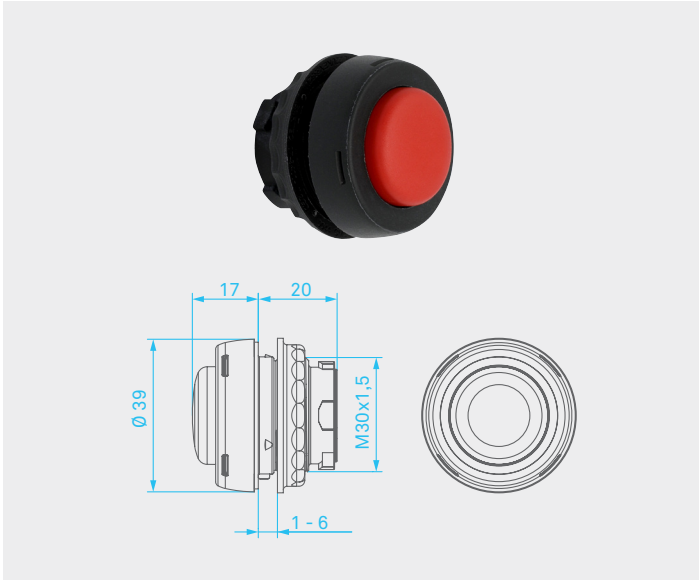
Notified Body Number	CE 0044
Approved Body Number	UK 2503
ATEX/UKEX Ex protection type	⊕ II 2G Ex eb IIC Gb ⊕ II 2D Ex tb IIIC Db
ATEX/UKEX Certification	CML21 ATEX31132U CML22 UKEX3332U
IECEX Ex type of protection	Ex eb IIC Gb Ex tb IIIC Db
IECEX certificate number	IECEX CML 21.0128U
CEC (UL Mark)	Ex eb IIC Gb Ex tb IIIC Db Class I, Division 2, Groups A, B, C, D Class II, Division 2, Groups F, G Class III, Division 2
NEC (UL Mark)	Class I, Zone 1, AEx eb IIC Gb Zone 21, AEx tb IIIC Db Class I, Division 2, Groups A, B, C, D Class II, Division 2, Groups F, G Class III, Division 2
UL certificate number	UL E184198
Operating temperature	-40 °C to +70 °C (-40 °F to +158 °F)
Service temperature	-55 °C to +70 °C (-67 °F to +158 °F) (related to explosion protection acc. to EN IEC 60079-0)

For further approvals and certificates, see

www.bartec.com

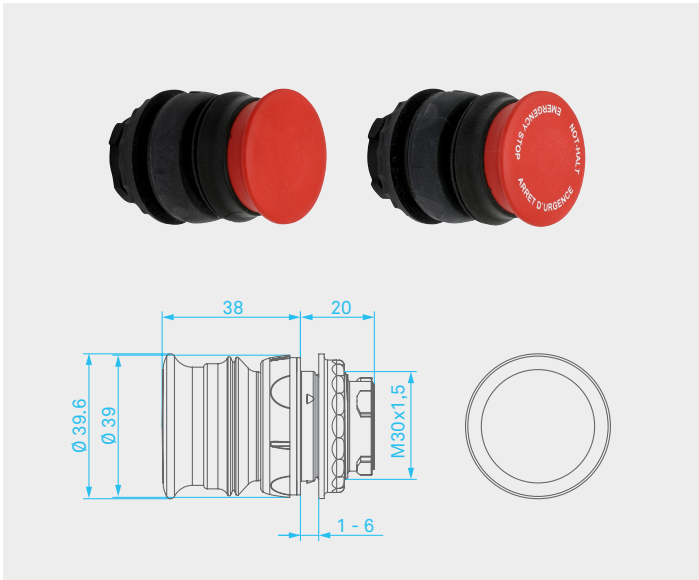
Technical data

Degree of protection	Up to IP67 acc. to EN 60529 and NEMA 4X acc. to UL 50E. Requires correct installation in in a mounting hole on an enclosure with appropriate degree of protection.
Mounting	– Installation in enclosures with a wall thickness of 1mm to 6 mm (0.04 in to 0.24 in) – Suitable for through-holes 30.3 mm (1.19 in) – Torque fixing nut 2.8 to 3.4 Nm
Mechanical risk level	High
Dimensions	See selection chart on page 3
Weight	See selection chart on page 3



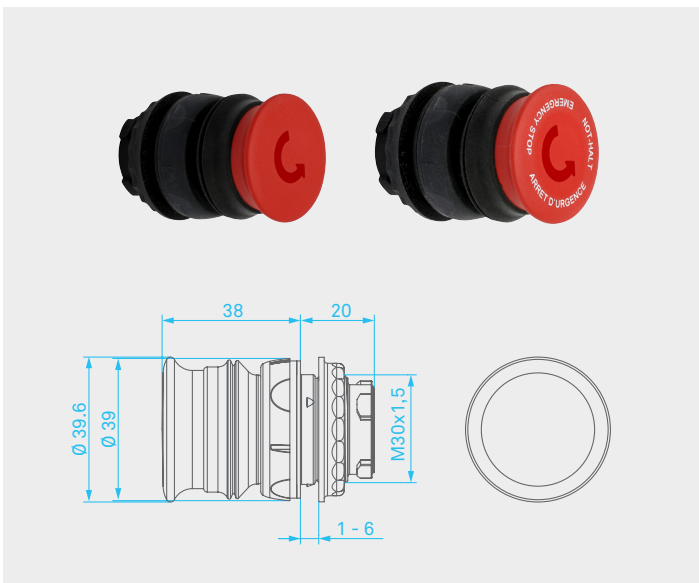
Push button

Description	- 4 labels (red, green, white, black) "supplied loose" (must be installed in operation) - momentary - Used with ComEx switch module Type 07-332* and Type 07-3382-*
Weight	35 g
Degree of protection	IP67 acc. to EN 60529 NEMA 4X acc. to UL 50E
Order no.	07-3400-A100



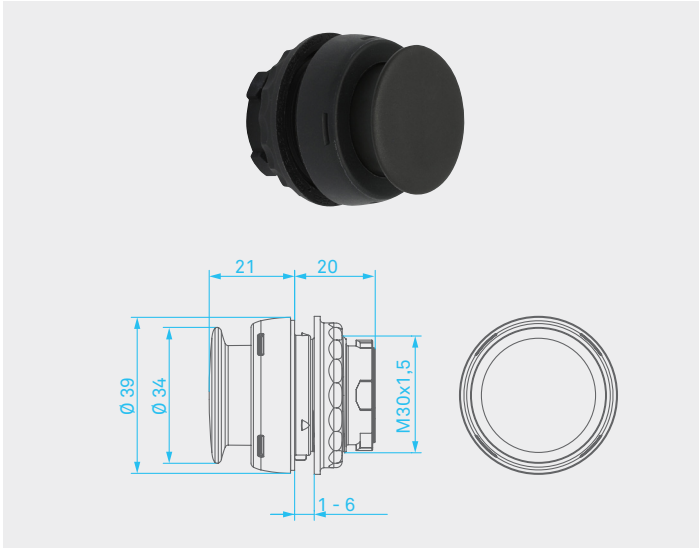
Emergency stop pull to release

Description	- Conformity with IEC 60947-5-5 / UL 60947-5-5 in combination with ComEx switch module - Type 07-332*-****/**** (2-pole) and Type 07-3382-****/**** (4-pole)
Weight	52 g
Degree of protection	IP67 acc. to EN 60529 NEMA 4X acc. to UL 0E
Order no.	Emergency stop Pull to release 07-3400-N100 Emergency stop Pull to release with labelling 07-3400-N200



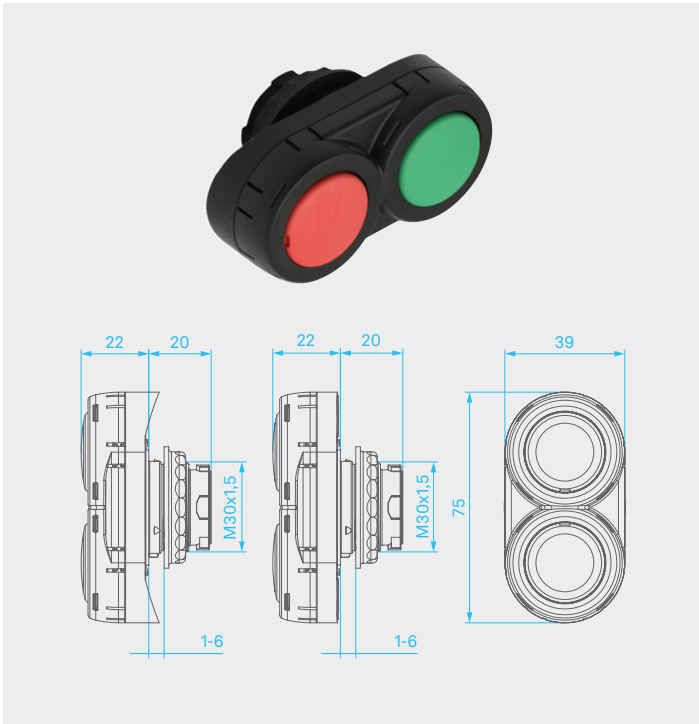
Emergency stop twist to release

Description	Conformity with IEC 60947-5-5 / UL 60947-5-5 in combination with ComEx switch module Type 07-332*-****/**** (2-pole)
Weight	52 g
Degree of protection	IP67 acc. to EN 60529 NEMA 4X acc. to UL 50E
Order no.	Emergency stop Twist to release 07-3400-R100 Emergency stop Twist to release with labelling 07-3400-R200



Mushroom push button

Description	– momentary – Used with ComEx switch module Type 07-332* and Type 07-3382-*
Weight	40 g
Degree of protection	IP67 acc. to EN 60529 NEMA 4X acc. to UL 50E
Order no.	07-3400-P100



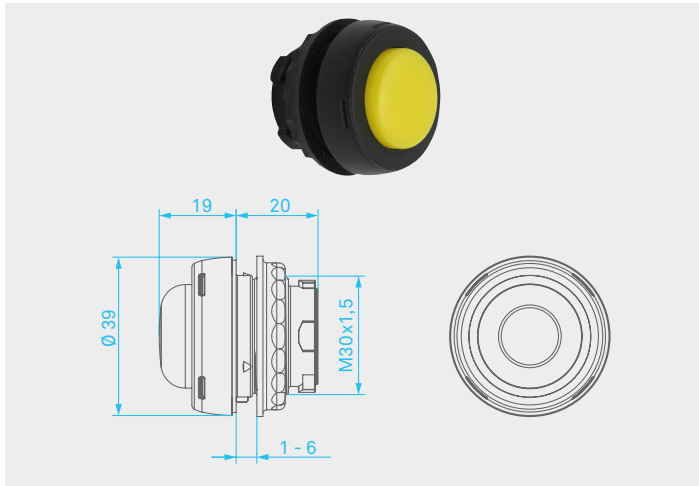
Double push button

Description	– 4 labels (red, green, white, black) “supplied loose” (must be installed in operation) – momentary – Used with ComEx switch module Type 07-332*
Weight	66 g
Degree of protection	IP67 acc. to EN 60529 NEMA 4X acc. to UL 50E
Order no.	for ComEx enclosures 07-3400-C110 for control units 07-3400-C210



Pilot light

Description	– Used with ComEx light module Type 07-335* – Pilot light yellow is to be combined with illuminated indicator module white 07-335*-**4*
Weight	27 g
Degree of protection	IP67 acc. to EN 60529 NEMA 4X acc. to UL 50E
Order no.	red 07-3400-LR00 green 07-3400-LG00 yellow 07-3400-LY00 white 07-3400-LW00 blue 07-3400-LB00



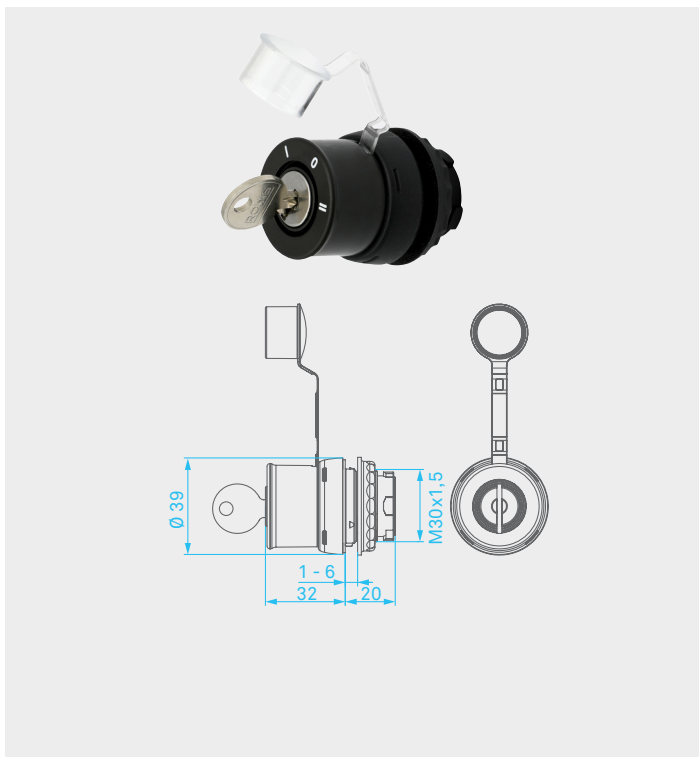
Illuminated push button

Description	– momentary – Used with ComEx light module Type 07-336* – Illuminated push button yellow is to be combined with illuminated push button module white 07-336*-**4*	
Weight	27 g	
Degree of protection	IP67 acc. to EN 60529 NEMA 4X acc. to UL 50E	
Order no.	red	07-3400-TR00
	green	07-3400-TG00
	yellow	07-3400-TY00
	white	07-3400-TW00
	blue	07-3400-TB00



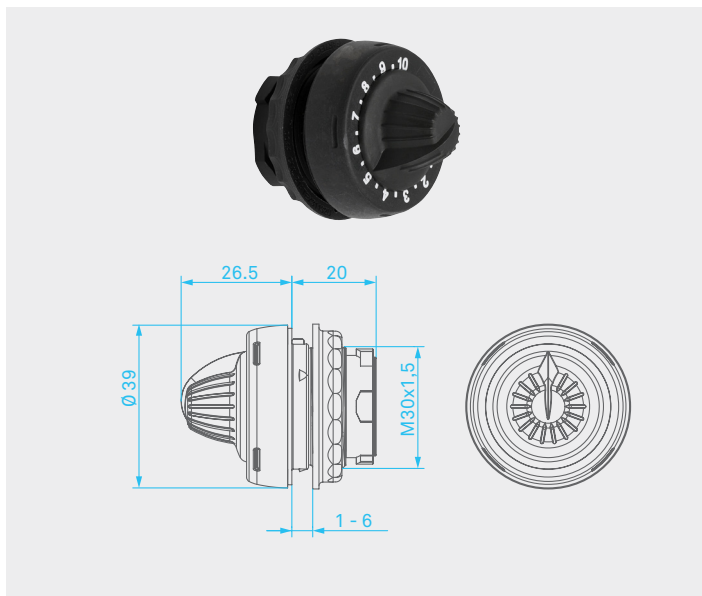
Selector switch

Description	Used with ComEx switch module Type 07-332* and Type 07-3382-* (only for ComEx actuator with 2 switching positions)	
Weight	33 g	
Degree of protection	IP66 acc. to EN 60529 NEMA 4X acc. to UL 50E	
Order no.	0 - I latching	07-3400-S210
	0 - I momentary	07-3400-S220
	I - 0 - II latching	07-3400-S310
	I - 0 - II latching momentary	07-3400-S320
	I - 0 - II latching, II momentary	07-3400-S330
	I - 0 - II latching, II momentary	07-3400-S340



Key selector switch

Description	– Key operated switch RONIS lock 455 – with 2 or 3 switching positions – available in latching and spring return	
Weight	74 g	
Degree of protection	IP66 acc. to EN 60529 NEMA 4X acc. to UL 50E	
Order no.	0 - I latching both pos. key withdrawable	07-3400-E2111000
	0 - I latching pos. 0 key withdrawable	07-3400-E2121000
	0 - I spring return pos. 0 key withdrawable	07-3400-E2221000
	I - 0 - II latching all pos. key withdrawable	07-3400-E3131000
	I - 0 - II latching pos. 0 key withdrawable	07-3400-E3141000
	I - 0 - II spring return- pos. 0 key withdrawable	07-3400-E3221000



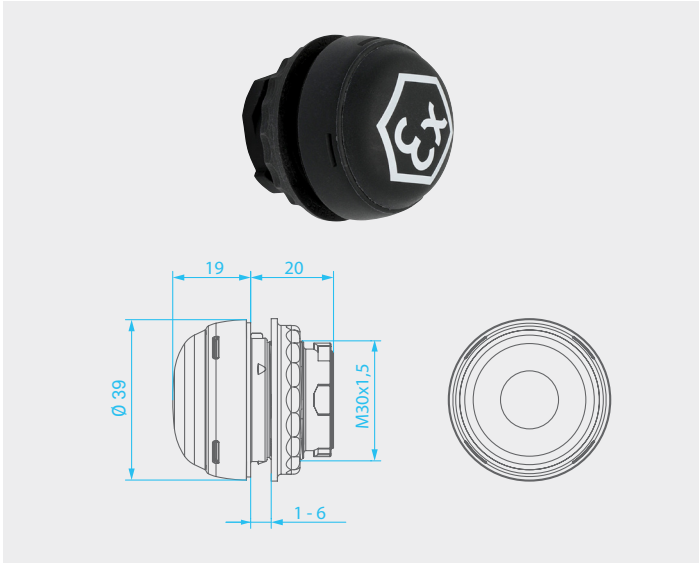
Potentiometer

Description	– durable and abrasion-resistant scale gradation from 0 to 10
Weight	31 g
Degree of protection	IP66 acc. to EN 60529 NEMA 4X acc. to UL 50E
Order no.	07-3400-D100



Selector switch large

Description	– Used with ComEx switch module Type 07-332* and Type 07-3382*
Weight	173 g
Degree of protection	IP66 acc. to EN 60529 NEMA 4X acc. to UL 50E
Order no.	0 - I latching for ComEx enclosures 07-3400-F1B21100 for control units 07-3400-F2B21100
	I - II latching for ComEx enclosures 07-3400-F1B21200 for control units 07-3400-F2B21200
	I - 0 - II latching for ComEx enclosures 07-3400-F1B31300 for control units 07-3400-F2B31300
	HAND - 0 - AUTO left latching, right momentary for ComEx enclosures 07-3400-F1B33400 for control units 07-3400-F2B33400
	MAN - 0 - AUTO left latching, right momentary for ComEx enclosures 07-3400-F1B33500 for control units 07-3400-F2B33500
	0 - I (red-yellow) latching for ComEx enclosures 07-3400-F1R21100 for control units 07-3400-F2R21100
	MAN - 0 - AUTO both sides latching for control units 07-3400-F2B31500
	I - 0 - II both sides momentary for control units 07-3400-F2B32300
	HAND - 0 - AUTO both sides momentary for control units 07-3400-F2B32400



Blind plug

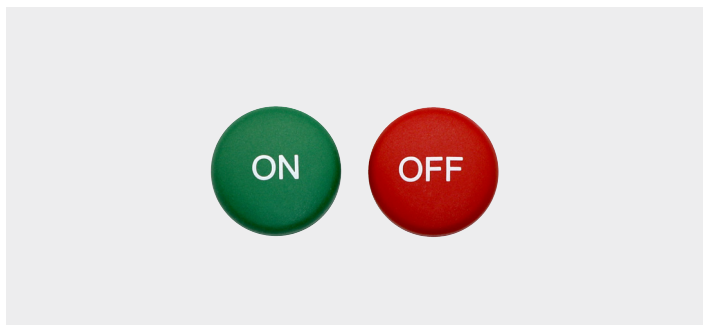
Description	– to cover unused holes in the enclosure cover
Weight	33 g
Degree of protection	IP67 acc. to EN 60529 NEMA 4X acc. to UL 50E
Order no.	07-3400-B200



Selector switch for control switch

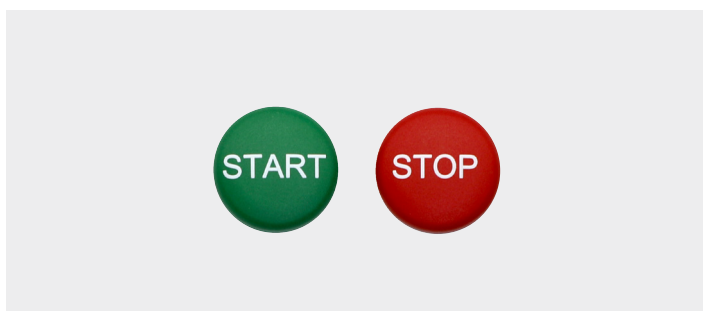
Description	– Used with ComEx Control switch module Type 07-3332*
Weight	173 g
Degree of protection	IP66 acc. to EN 60529 NEMA 4X acc. to UL 50E
Order no.	0 - I for ComEx enclosures 07-3400-G1B01000 for control units 07-3400-G2B01000 I - II for ComEx enclosures 07-3400-G1B02000 for control units 07-3400-G2B02000 I - 0 - II for ComEx enclosures 07-3400-G1B03000 for control units 07-3400-G2B03000 0 - I - II - III for ComEx enclosures 07-3400-G1B05000 for control units 07-3400-G2B05000 HAND - 0 - AUTO for ComEx enclosures 07-3400-G1B07000 for control units 07-3400-G2B07000 OFF - ON for ComEx enclosures 07-3400-G1B09000 AUTO - 0 - HAND - START for control units 07-3400-G2B08000 Printed to specification for ComEx enclosures 07-3400-G1B99000 for control units 07-3400-G2B99000 0 - I (for shaft actuator) for control units 07-3400-G3B01000 Printed to specification for control units 07-3400-G3B99000

ComEx Actuating elements - Accessories



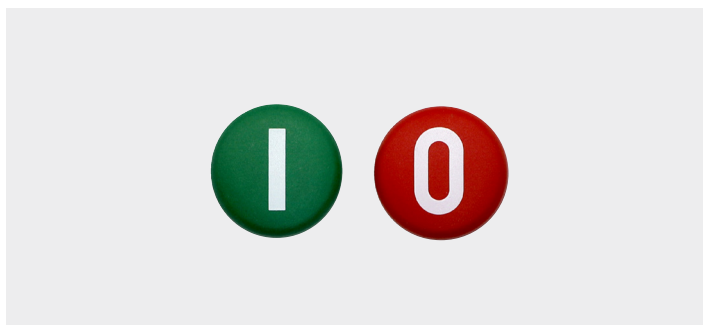
Printed labels ON/OFF

Description	- 1 x green „ON“ - 1 x red „OFF“	
Order no.	for pushbutton 07-3400-A*	05-0091-0287
	for pushbutton Typ 07-3400-C*	05-0091-0291



Printed labels START/STOP

Description	- 1 x green „START“ - 1 x red „STOP“	
Order no.	for pushbutton 07-3400-A*	05-0091-0285
	for pushbutton Typ 07-3400-C*	05-0091-0289



Printed labels I/O

Description	- 1 x green „I“ - 1 x red „O“	
Order no.	for pushbutton 07-3400-A*	05-0091-0286
	for pushbutton Typ 07-3400-C*	05-0091-0290



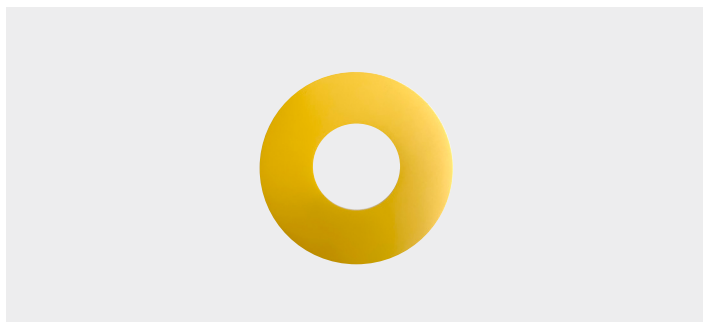
Torquing tool

Description	- for installation fixing nut	
Order no.	05-1191-0001	



Shield holder

Description	- Note the distance dimensions of the Control and signal device actuators - Markings on request - dimensions 35x18 mm	
Order no.	for actuating elements	05-1105-0068
	for pushbutton 07-3400-C*	05-1105-0075
	Label	03-5412-0056



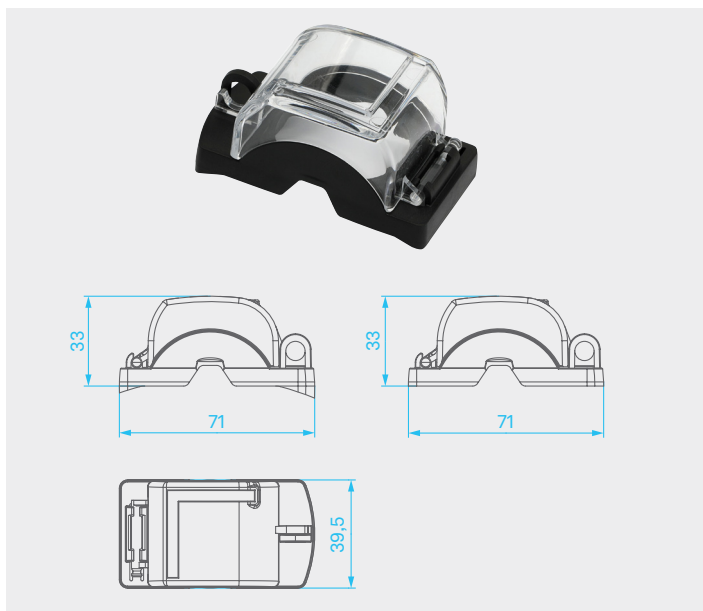
Contrast plate

Description	– for EMERGENCY-STOP 07-3400-N* and 07-3400-R* – yellow Ø 90 mm
Order no.	05-2144-1097



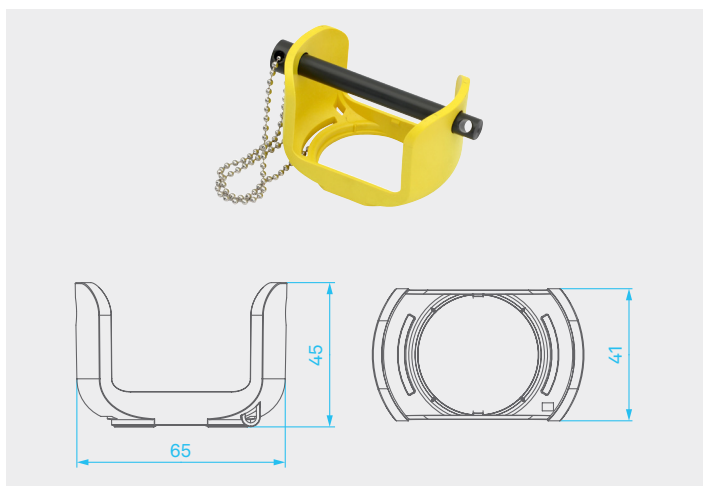
Marking clip

Description	– Markings on request – dimensions 30x3,6 mm
Order no.	for actuating element 05-1105-0067 for pushbutton 07-3400-C* 05-1105-0074 Label 03-5412-0072



Locking device

Description	– Padlocks with max. Ø 6,5 mm can be used (not included)
Order no.	for ComEx control station 07-352* 05-0037-0022 for panel mounting (INST) 05-0037-0023



Protective collar

Description	– Protective collar for emergency stop actuator – Padlocks with max. Ø 4,5 mm can be used (not included)
Order no.	element to prevent accidental switching 05-0032-0019 bolt with chain for protective collar 05-0032-0020