

# IT25...

## Earthing clamps



### Installation

hazardous areas - Zone 1 / 2 (Gases)

### Classification

Group II - Category 2G

### Reference standards

Directive 2014/34/EU	
Execution	Ⓜ II 2 G Ex d IIC T6
Rules of compliance	EN 50014: 1997 + A1 and A2; EN 50018:2000 + A1
EU Type-Examination Certificate	CESI 05 ATEX 005
Protection degree	IP44
Ambient temperature	-20 °C ÷ +55 °C

### Mechanical characteristics

Haft	nylon shock proof insulating
Contacts	elastic phosphor bronze, suitable for fastening on tank tails 8-11 mm
Contact support	brass
Cable entry	marine brass gland
Earthing cable	external diameter 8-11 mm (not supplied)

### Applications

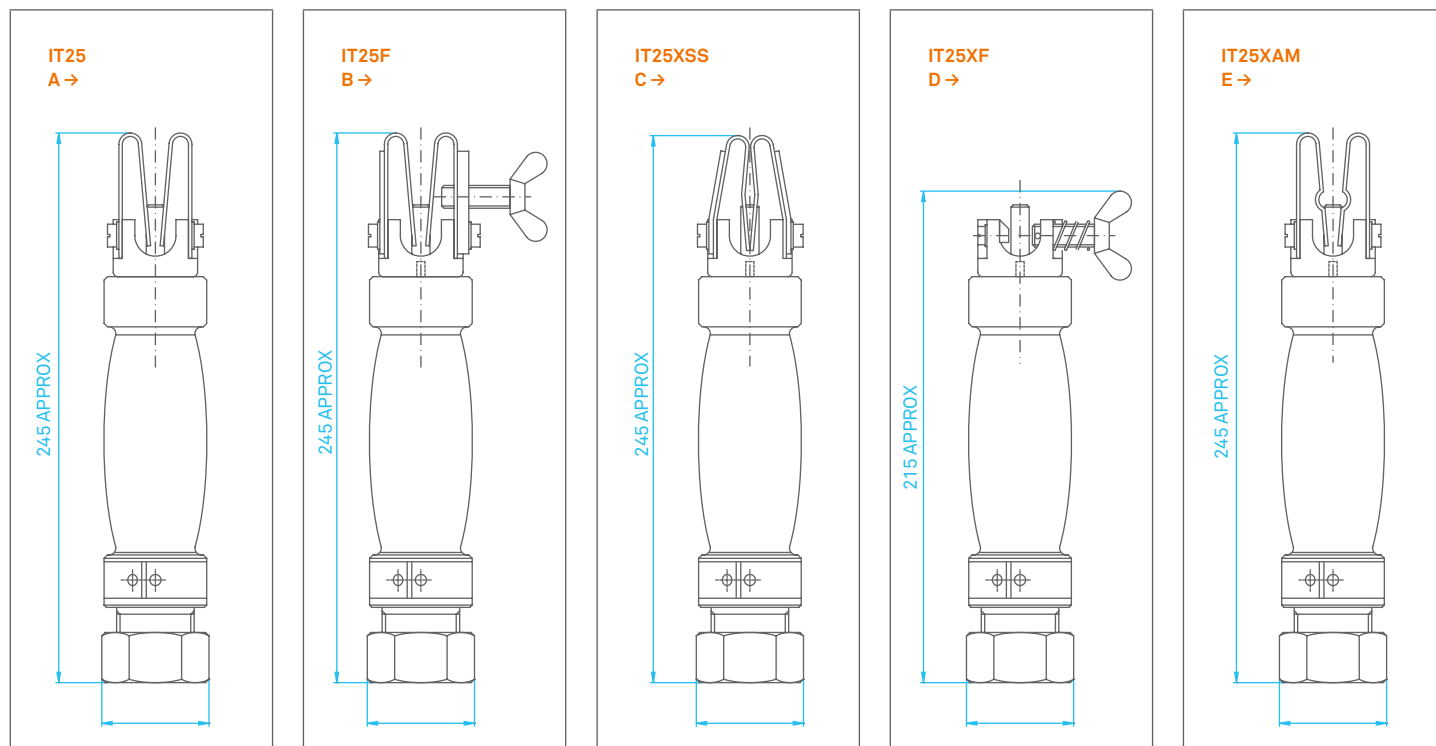
IT 25... earthing clamps is used to connect tankers to ground during loading and unloading operations.

Connecting the clamp to tank tail, the grounding circuits is automatically closed.

## Technical features

Type	Type of connection description	Weight [Kg]	Detail
IT25	Normal spring clamping	0.7	A
IT25F	Spring clamping & mechanical fixing	0.7	B
IT25XSS	Thin structure clamping	0.7	C
IT25XF	Metal barrel clamping	0.7	D
IT25XAM	Round shaped earthing fixing	0.7	E

## Reference details



**REMARK:**

Due to the development of the national and international specifications and of the technology, the above technical characteristics showed on this bulletin can be considered as binding on our confirmation only.