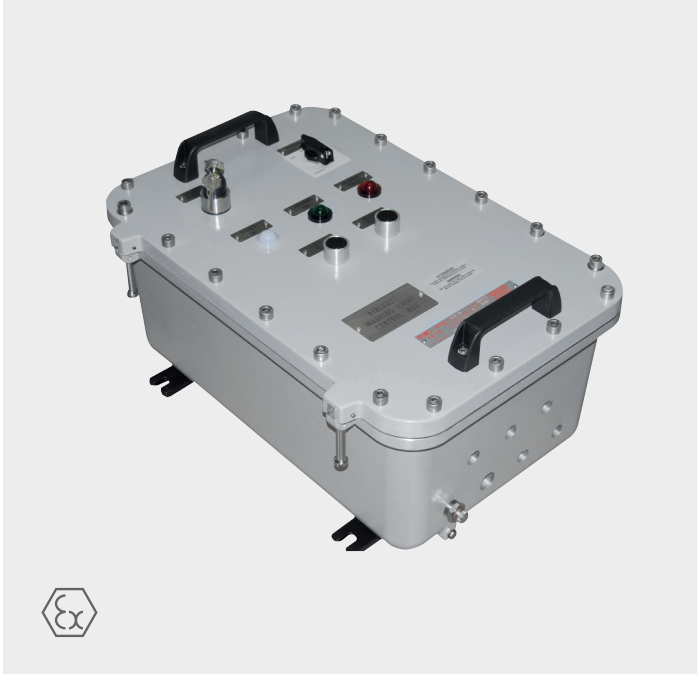


EJC™

Enclosures



Installation

hazardous areas - Zone 1 / 2 (Gases) - Zone 21 / 22 (Dusts)

Classification

Group II - Category 2G 2D

Reference standards

Directive 2014/34/EU	
Execution	Ⓢ II 2 G Ex db IIC T6...T3 Ⓢ II 2 G Ex db [ia/ib/ic IIA or IIB or IIC Ga/Gc] IIC T6...T3 Ⓢ II 2 D Ex tb IIIC T85 °C ... T200 °C Ⓢ II 2 D Ex tb [ia Da/ib/ic Dc] IIIC T85 °C ... T200 °C
Rules of compliance	EN/IEC 60079-0; EN/IEC 60079-1; EN/IEC 60079-11; EN/IEC 60079-31
EU type-examination certificate	INERIS 13 ATEX 0023X
Protection degree	IP66
Ambient temperature	-60 °C ÷ +60 °C
Other available certificates	ATEX Component: INERIS 13 ATEX 9020U IECEx: IECEx INE 13.0071X IECEx Component: IECEx INE 13.0085U INMETRO: CEPTEL 12.2137X CCC: 2021122304114053 ECASEx: 23-06-22481/Q23-06-048569/NB0002 CCOOE-PESO: P531869 KC: in progress EAC: EA3C KZ 7500525.01.01.02096

Mechanical characteristics

Body/cover	marine grade copper free aluminium light alloy
Screws	stainless steel
Internal mounting plate	hot dip galvanized steel
Fixing	fixing lugs al uni 4514
Opening handle	insulating material fixed on cover by stainless steel screws
Valves	Drain and breather stainless steel AISI-316L

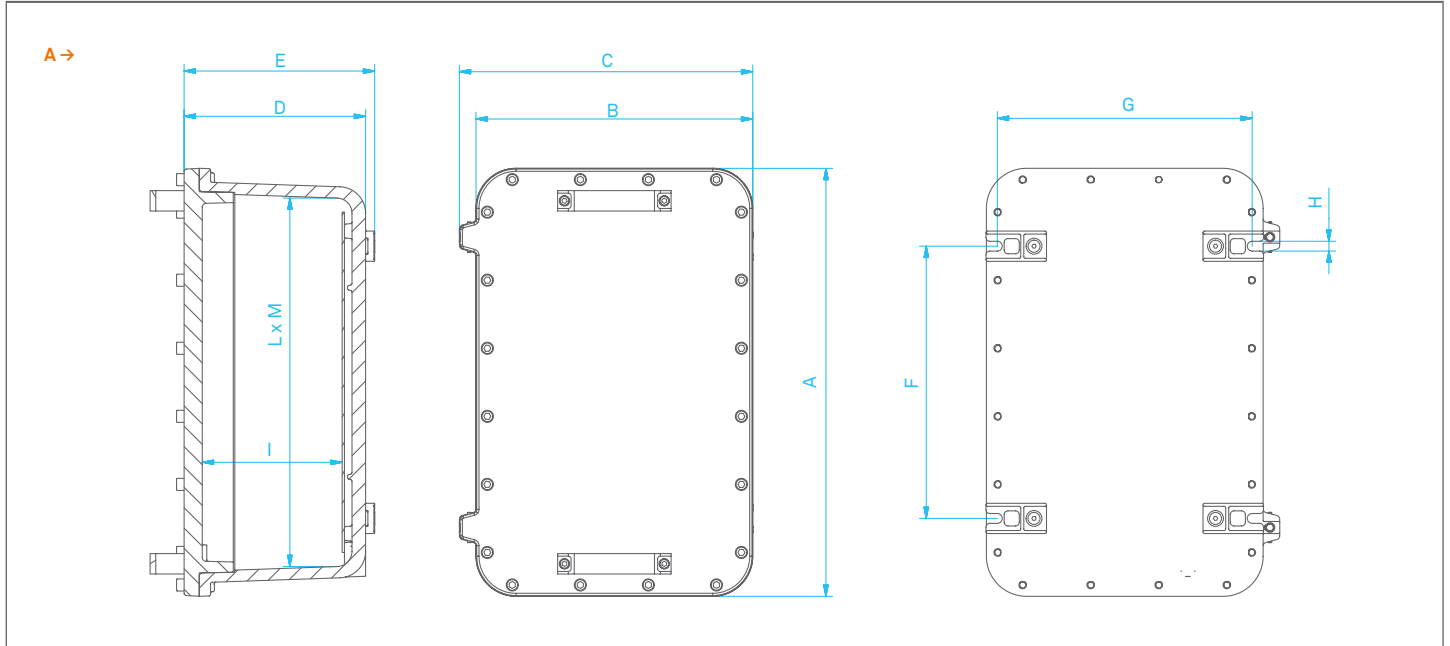
On Request Accessories

- External epoxy painting (any colours)
- Internal anticondensate painting orange RAL-2004
- O-Ring gaskets on cover
- Glass windows on cover

Technical Features

Code	A [mm]	B [mm]	C [mm]	D [mm]	E [mm]	F [mm]	G [mm]	H [mm]	I [mm]	L [mm]	M [mm]	Int. plate X - Y [mm]	Weight [kg]	Detail
EJC-21	285	245	267	161	171	160	241	11	113	216	176	180 x 140	12,00	A
EJC-30	415	315	338	146	156	294	285	11	94	344	244	300 x 200	21,00	A
EJC-31	415	315	338	228	238	294	285	11	176	344	244	300 x 200	25,00	A
EJC-51	566	366	388	240	252	360	337	13	185	487	287	450 x 250	40,00	A
EJC-61	668	468	490	343	355	500	443	13	277	580	380	530 x 330	80,00	A
EJC-63	668	468	490	217	229	500	443	13	151	580	380	530 x 330	66,00	A

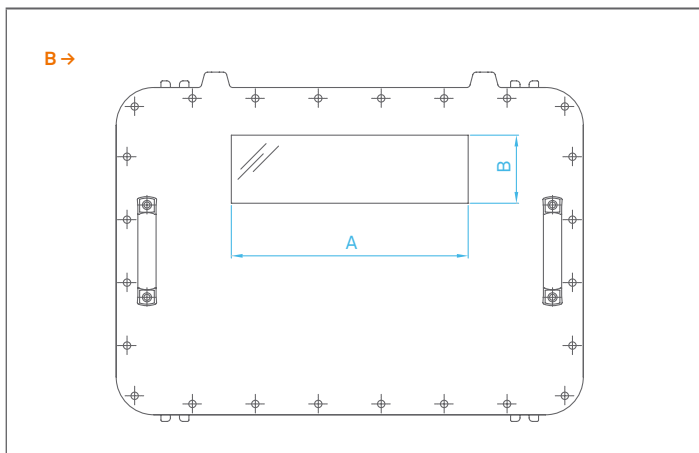
Reference details



Glass windows on cover

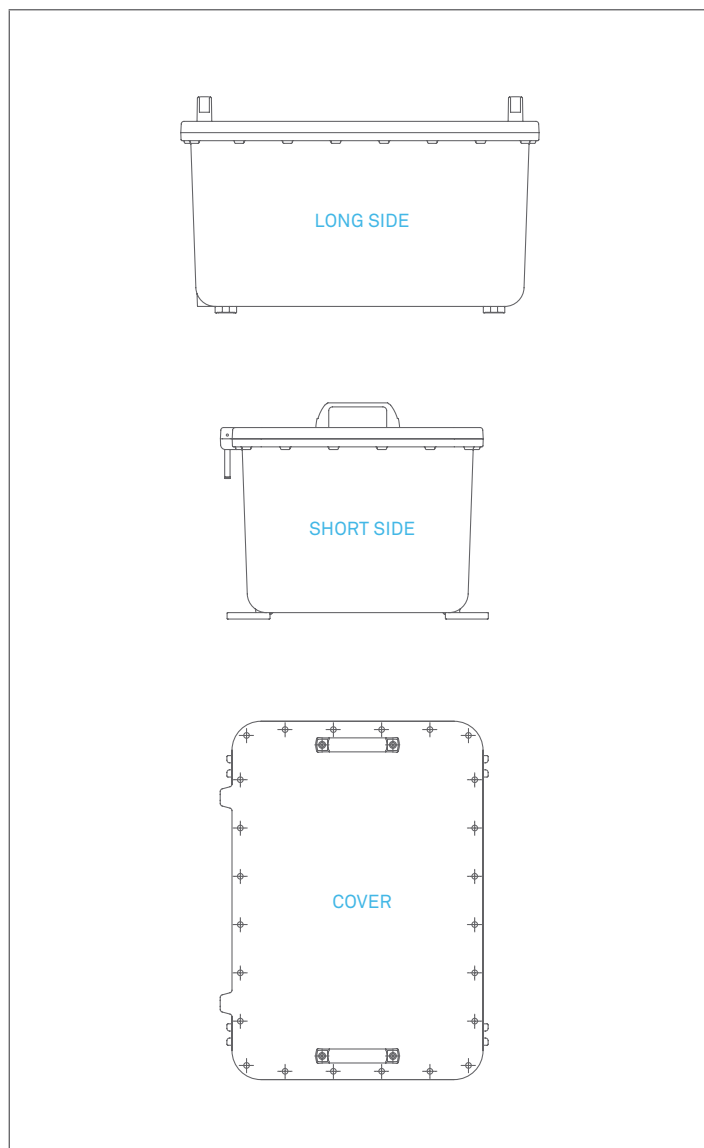
Window code	Window type	Enclosure code				Window dimensions		Detail
		EJC-21	EJC-30/31	EJC-51	EJC-61/63	A [mm]	B [mm]	
KITF1STC	F1	x	x	x	x	60	60	B
KITF2STC	F2	x	x	x	x	75	75	B
KITF3STC	F3	x	x	x	x	110	75	B
KITF4STC	F4	x	x	x	x	150	75	B
KITF5STC	F5	-	x	x	x	150	150	B
KITF6STC	F6	-	-	x	x	300	75	B
KITF7STC	F7	-	-	x	x	300	150	B

Reference details



Body and cover enclosures indicative maximum quantity of holes of the same size

Reference details



Drilling area long side

Enclosure code	Quantity allowed entries for size (from 1 to size 8)							
	1	2	3	4	5	6	7	8
EJC-21	8	4	3	3	2	2	2	/
EJC-30	7	6	5	5	/	/	/	/
EJC-31	21	18	14	11	8	6	3	2
EJC-51	33	26	16	14	12	7	4	3
EJC-61	60	40	27	24	14	14	10	8
EJC-63	35	20	18	15	10	7	5	4

Drilling area short side

Enclosure code	Quantity allowed entries for size (from 1 to size 8)							
	1	2	3	4	5	6	7	8
EJC-21	6	3	3	2	2	1	1	/
EJC-30	5	4	4	3	/	/	/	/
EJC-31	15	12	9	8	6	4	2	1
EJC-51	18	14	8	8	6	4	2	2
EJC-61	40	24	18	15	8	8	6	6
EJC-63	23	12	12	9	6	4	3	3

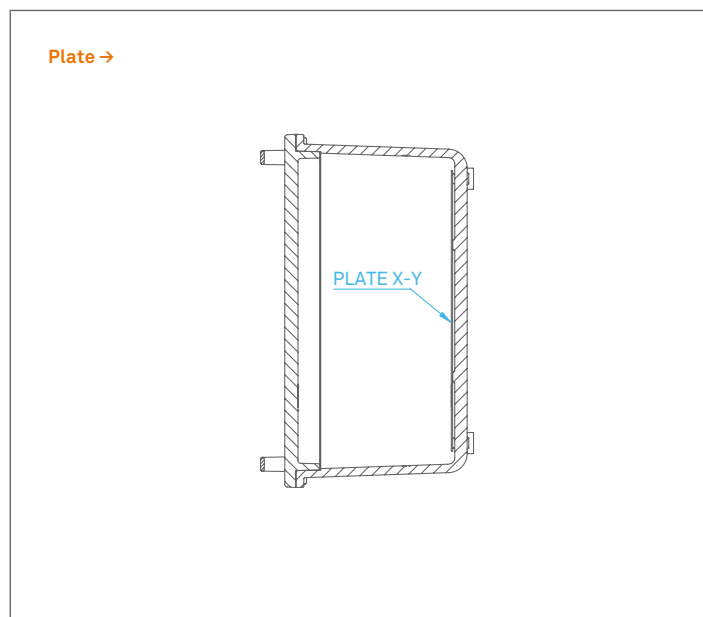
Cover drilling area

Enclosure code	Max operators permitted
EJC-21	12
EJC-30	30
EJC-31	30
EJC-51	36
EJC-61	56
EJC-63	56

Indicative quantity of terminals and relevant section

Code	SEZ. 2,5 [sq/mm]	SEZ. 6,0 [sq/mm]	SEZ. 10,0 [sq/mm]	SEZ. 16,0 [sq/mm]	SEZ. 35,0 [sq/mm]	SEZ. 50,0 [sq/mm]	SEZ. 70,0 [sq/mm]	SEZ. 240,0 [sq/mm]	Int. plate X - Y [mm]
EJC-21	30 x 1	20 x 1	14 x 1	12 x 1	8 x 1	6 x 1	2 x 1	1 x 1	180 x 140
EJC-30	52 x 2	32 x 2	24 x 2	20 x 2	14 x 2	12 x 1	8 x 1	4 x 1	300 x 200
EJC-31	52 x 2	32 x 2	24 x 2	20 x 2	14 x 2	12 x 1	8 x 1	4 x 1	300 x 200
EJC-51	80 x 2	46 x 2	36 x 2	30 x 2	22 x 2	18 x 2	16 x 1	6 x 1	450 x 250
EJC-61	92 x 3	58 x 3	46 x 3	38 x 3	28 x 3	26 x 2	22 x 2	12 x 1	530 x 330
EJC-63	92 x 3	58 x 3	46 x 3	38 x 3	28 x 3	26 x 2	22 x 2	12 x 1	530 x 330

Reference details



REMARK:

Due to the development of the national and international specifications and of the technology, the above technical characteristics showed on this bulletin can be considered as binding on our confirmation only.