

# PAPD

## Cable glands for armoured, lead sheathed cables



### Installation

Hazardous areas – Zone 1/2 (Gases) – Zone 21/22 (Dusts)

### Classification

Group II – Category 2G 2D / 3G 3D

### Reference standards

Directive 2014/34/EU	
Execution	⚡ II 2 G Ex db / Ex eb / Ex ia / IIC Gb II 2 D Ex tb III C Db ⚡ I 3 G Ex nR IIC Gc / II 3 D Ex tc III C Dc
Rules of compliance	EN/IEC 60079-0; EN/IEC 60079-1; EN/IEC 60079-7; EN / IEC 60079- 11; EN/IEC 60079-31
EU type-examination certificate	INERIS 09 ATEX 0028X INERIS 23 ATEX 3004X (Ex nR only)
Protection degree	IP66 or IP66/68
Ambient temperature	-40 °C ÷ +90 °C (Rubber rings EPDM-60) -60 °C ÷ +180 °C (Rubber rings SILICON)
Other available certificates	IECEx: IECEx IINE 11.0017X INMETRO: CEPEL 12.2177X RINA: ELE411722CS CCC 2023122313116542 CCOE PESO: P531870 ECASEx: 23-06-22481/Q23-06-048569/NB0002 KC: in progress BS standard: EPTI 22 IEC 0423

### Mechanical characteristics

Body/cab	OT-58 brass (ON) – AISI-316L stainless steel (XX) marine grade copper free aluminium (on project request only)
Finishes	Full nickel plating treatment (brass material only)
Rubber rings	EPDM rubber 50-60 shore hardness (standard supply) Silicon rubber 60 shore hardness (on demand only)
O-ring	Silicon rubber – 60 shore hardness
Skid washer	Nylon 6.0

### Applications

For steel wire armoured cables (swa) for steel tape armoured cables and for lead inner sheath cables

Double Compression Type For Indoor And Outdoor Use

Provided armour clamping using clamping arrangements suitable for all armour wire/braid types

Internal lead device for electrical bond of cable lead inner sheath

Double compression – under armour and overall of armour cable (inner and outer sealing)

### On Request Accessories

Locknuts, Gaskets, PVC Shrouds, Earthing Tags, Sealing (See DL-NW-PTD-ET bulletin)



**Cable gland selection table**

Code (1)	Size	Entry thread size						Dia. under armour		Outer sheath Dia.		Hexagon (mm)	Material	(3)
		Metric	(2)	NPT	(2)	ISO 228	(2)	min (mm)	max (mm)	min (mm)	max (mm)			
PAPD#	01	ISO-M20	M	1/2" NPT	N	1/2"	G	3,5	6,0	10,0	15,0	32,0	Nickel pl. brass	ON
								6,0	8,5		14,0		19,0	Stainless steel
PAPD#	02	ISO-M25	M	3/4" NPT	N	3/4"	G	8,5	11,0	15,0	20,0	36,0	Nickel pl. brass	ON
								11,0	13,5		19,0		24,0	Stainless steel
PAPD#	03	ISO-M32	M	1" NPT	N	1"	G	13,0	16,0	20,0	26,0	45,0	Nickel pl. brass	ON
								16,0	19,0		25,0		31,0	Stainless steel
PAPD#	04	ISO-M40	M	1 1/4" NPT	N	1 1/4"	G	19,0	22,0	26,0	32,0	53,0	Nickel pl. brass	ON
								22,0	25,0		31,0		37,0	Stainless steel
PAPD#	05	ISO-M50	M	1 1/2" NPT	N	1 1/2"	G	22,0	25,0	30,0	37,0	61,0	Nickel pl. brass	ON
								25,0	28,0		36,0		43,0	Stainless steel
PAPD#	06	ISO-M63	M	2" NPT	N	2"	G	34,0	37,0	42,0	48,0	71,0	Nickel pl. brass	ON
								37,0	40,0		47,0		53,0	Stainless steel
PAPD#	07	ISO-M75	M	2 1/2" NPT	N	2 1/2"	G	40,0	43,0	52,0	58,0	84,0	Nickel pl. brass	ON
								43,0	46,0		58,0		64,0	Stainless steel
PAPD#	08	ISO-M90	M	3" NPT	N	3"	G	52,0	55,0	65,0	72,0	101,0	Nickel pl. brass	ON
								56,0	59,0		71,0		78,0	Stainless steel
PAPD#	09	ISO-M100	M	4" NPT	N	4"	G	60,0	63,0	74,0	81,0	126,0	Nickel pl. brass	ON
								63,0	66,0		74,0		81,0	Stainless steel
PAPD#	09	ISO-M100	M	4" NPT	N	4"	G	58,0	66,0	81,0	88,0	126,0	Nickel pl. brass	ON
								66,0	72,0		88,0		96,0	Stainless steel
PAPD#	09	ISO-M100	M	4" NPT	N	4"	G	72,0	78,0	96,0	104,0	126,0	Nickel pl. brass	ON
								78,0	84,0		96,0		104,0	Stainless steel
PAPD#	09	ISO-M100	M	4" NPT	N	4"	G	84,0	90,0	96,0	104,0	126,0	Nickel pl. brass	ON
								84,0	90,0		96,0		104,0	Stainless steel



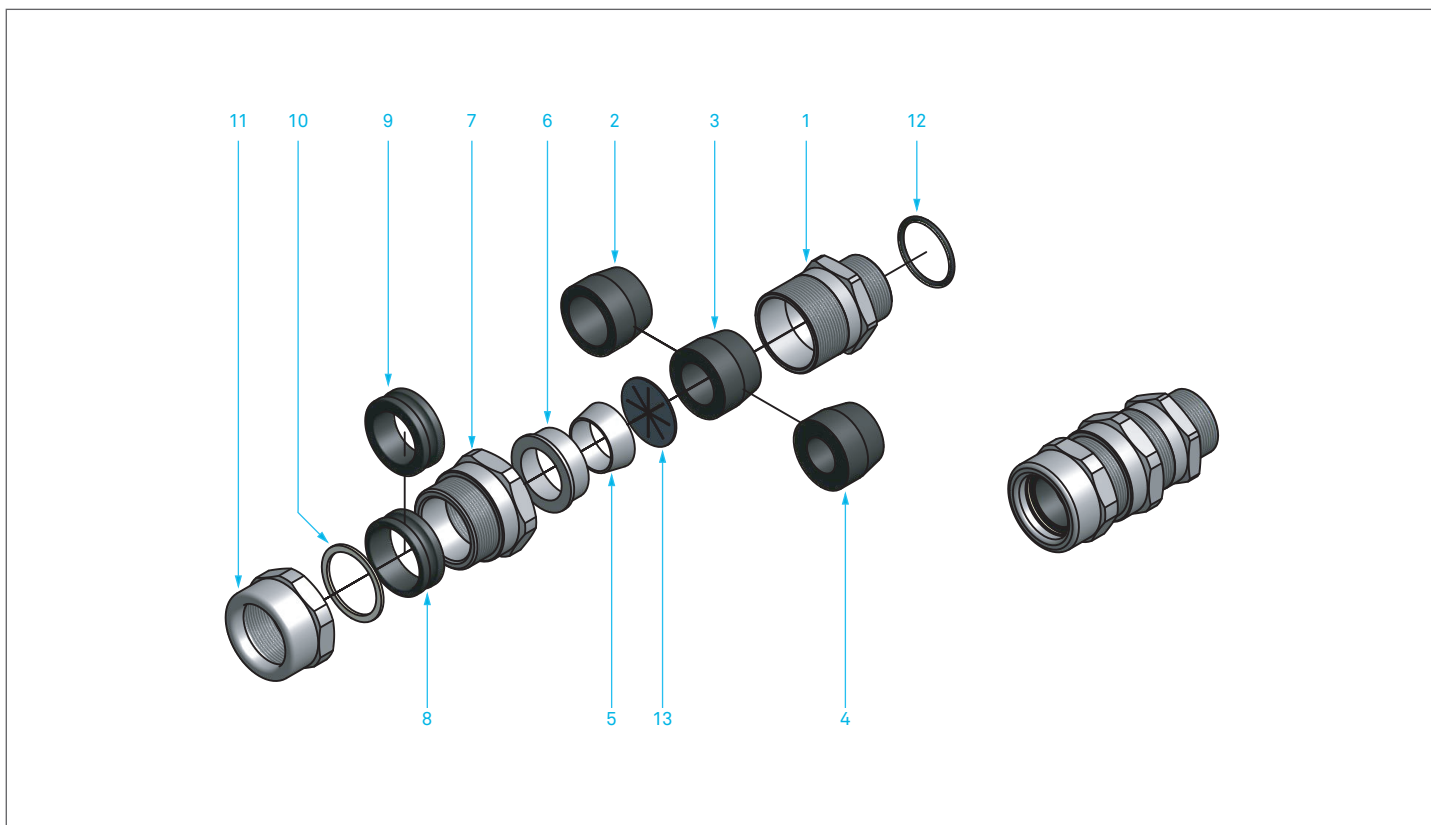
- P A P D # 0 1 M O N** → PAPD#01MON (non-barrier cable gland nickel plated brass ISO-M20 THR.)
- P A P D # 0 3 N X X** → PAPD#03NXX (non-barrier cable gland stainless steel 1"NPT THR.)

**Cable gland ordering examples**

**Legend**

(1) -	cable gland type/model	PAPD# = non-barrier cable gland
(2) -	threading	M = ISO METRIC pitch 1,5mm / N = NPT (ANSI/ASME B1.20.1) – G = ISO-228
(3) -	cable gland material	on = nickel plated brass / XX = stainless steel AISI-316L

**PAPD dimensional**



1	Body
2 - 3 - 4	Inner sealing ring for armoured cable
5	Armour clamping cone
6	Armour clamping ring for armoured cable
7	Gland barrel
8 - 9	Outer sealing ring
10	Anti rubbing washer
11	Gland nut
12	O-ring (only for metrical)
13	Lead washer

REMARK:

Due to the development of the national and international specifications and of the technology, the above technical characteristics showed on this bulletin can be considered as binding on our confirmation only.