

GUB

Enclosures



Installation

hazardous areas - Zone 1 / 2 (Gases) - Zone 21 / 22 (Dusts)

Classification

Group II - Category 2G 2D

Reference standards

Directive 2014/34/EU	
Execution	Ⓜ II 2 G Ex db IIC T6...T3 Ⓜ II 2 G Ex db [ia/ib/ic IIA or IIB or IIC Ga/Gc] IIC T6...T3 Ⓜ II 2 D Ex tb IIIC T85°C...T200 °C Ⓜ II 2 D Ex tb [ia Da/ib/ic Dc] IIIC T85 °C ... T200 °C
Rules of compliance	EN/IEC 60079-0; EN/IEC 60079-1; EN/IEC 60079-11; EN/IEC 60079-31
EU type-examination certificate	INERIS 13 ATEX 0021X
Protection degree	IP66
Ambient temperature	-60 °C ÷ +80 °C
Other available certificates	ATEX Component: INERIS 13 ATEX 9018U IECEx: IECEx INE13.0069X IECEx Component: IECEx INE 13.0082U INMETRO: CEPEL 12.2141X UL NEC-505: 20131202-E465037 - Type rating NEMA 1, 12, 4 and 4X (GUB Series only, GUBW not included) CCC: 2021122304114053 ECASEx: 23-06-22481/Q23-06-048569/NB0002 CCOOE-PESO: P531871 ITRI: ML0412007013L5 EAC: EA3C KZ 7500525.01.01.02096

Mechanical characteristics

Body	marine grade copper free aluminium light alloy
Cover	marine grade copper free aluminium light alloy
Screws	stainless steel
Internal plate	hot dip galvanized steel / aluminium
Fixing	fixing lugs AL UNI 4514 casting on enclosure body

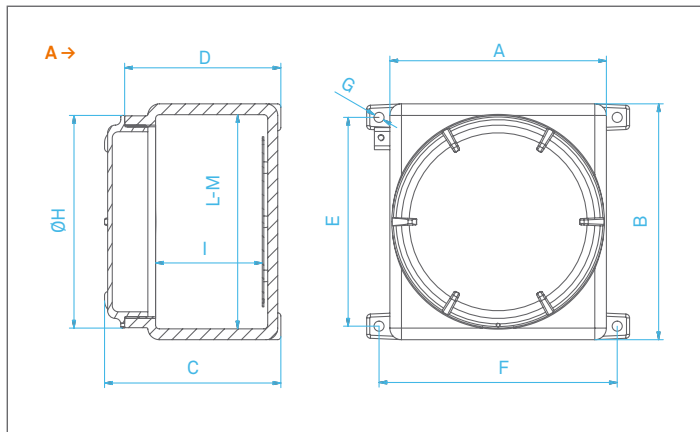
On Request Accessories

- External epoxy painting with colour on request
- Internal anticondensate painting orange RAL-2004
- Glass windows on cover
- Drain and breather valves
- Galvanized steel body & cover
- Cast iron body & cover

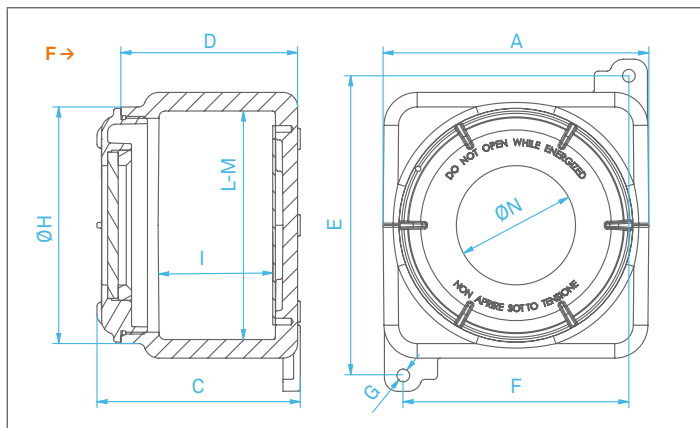
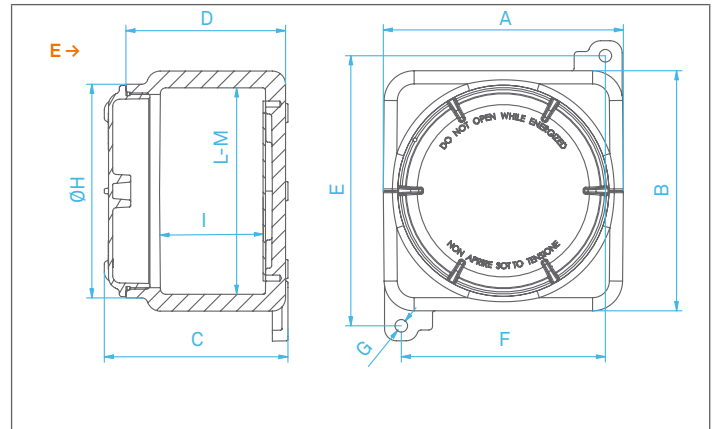
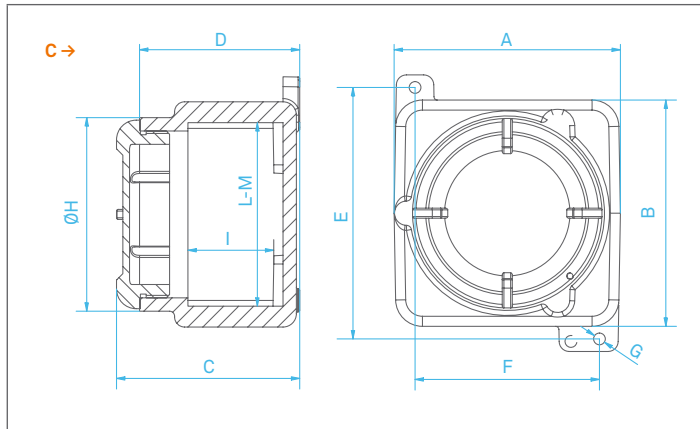
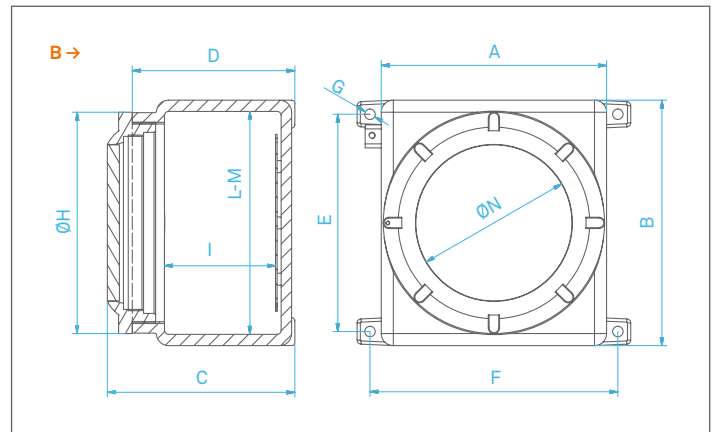
Technical Features

Code	A [mm]	B [mm]	C [mm]	D [mm]	E [mm]	F [mm]	Ø G [mm]	H [mm]	I [mm]	L [mm]	M [mm]	Ø N [mm]	Int. plate X - Y [mm]	Weight [kg]	Detail
GUB00	135	135	110	96	150	110	7	116	50	110	110	-	-	2,00	C
GUB0	173	170	141,5	125	190	145	9	142	75	142	145	-	110 - 110	4,00	E
GUB1	200	200	153	133	225	170	9	178	86	172	172	-	150 - 150	5,00	E
GUB03	280	305	228	202	270	308	13	275	133	248	270	-	200 - 220	13,50	A
GUB23	310	270	174	153	235	335	12	244	100	243	283	-	180 - 180	9,80	A
GUB4	420	420	281	230	380	460	14	410	147	384	384	-	280 - 280	31,70	A
GUB5	600	600	379	313	545	640	14	580	208	550	550	-	490 - 490	105,60	A
GUBW1	200	200	153	133	170	225	9	178	86	172	172	90	150 - 150	5,10	F
GUBW03	280	305	233	202	270	308	13	275	133	248	270	195	200 - 220	14,20	B
GUBW23	310	270	174	153	235	335	12	244	100	243	283	150	180 - 180	10,30	B
GUBW4	420	420	281	230	380	460	14	410	147	384	384	230	280 - 280	30,00	B

Reference details



Reference details

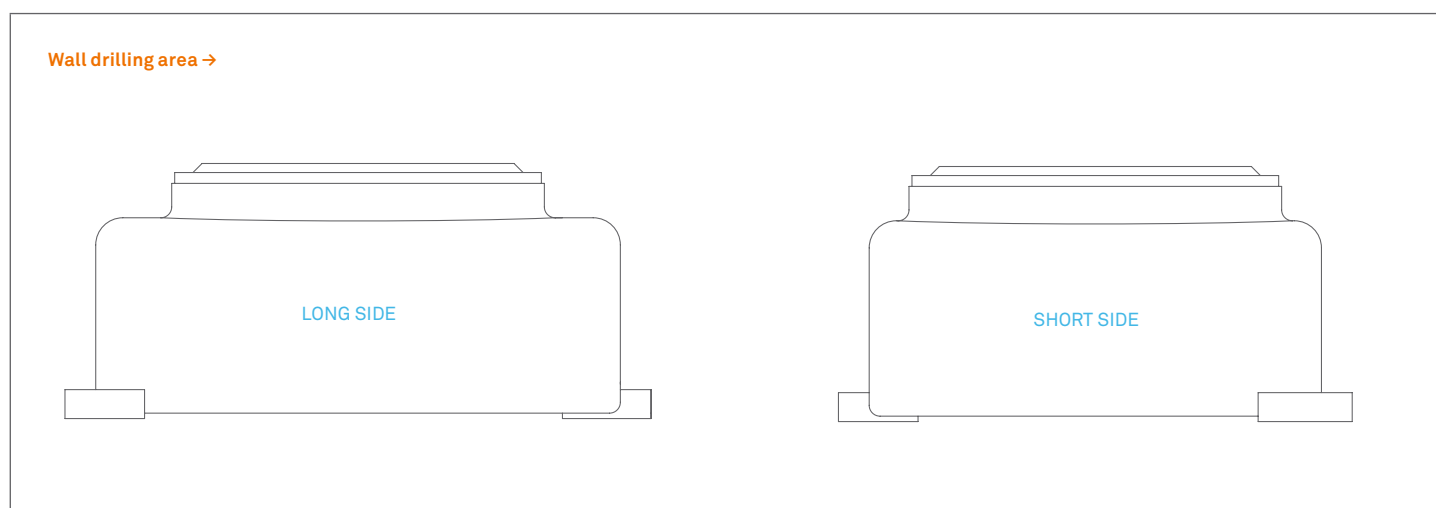


Body enclosures indicative maximum quantity of holes of the same size

Drilling area long side								
Enclosure code	Quantity allowed entries for size (from 1 to size 8)							
	1	2	3	4	5	6	7	8
GUB00	2	1	1	1	/	/	/	/
GUB0	6	3	2	2	1	1	1	/
GUB1	6	3	3	2	2	1	1	/
GUB03	15	11	9	8	6	4	2	2
GUB23	11	10	8	6	4	3	2	/
GUB4	23	18	14	11	10	7	4	3
GUB5	45	36	27	24	18	12	6	3
GUBW1	6	3	3	2	2	1	1	/
GUBW03	15	11	9	8	6	4	2	2
GUBW23	11	10	8	6	4	3	2	/
GUBW4	23	18	14	11	10	7	4	3

Drilling area short side								
Enclosure code	Quantity allowed entries for size (from 1 to size 8)							
	1	2	3	4	5	6	7	8
GUB00	2	1	1	1	/	/	/	/
GUB0	6	3	2	2	1	1	1	/
GUB1	6	3	3	2	2	1	1	/
GUB03	12	9	8	6	6	3	2	2
GUB23	9	8	8	5	3	3	2	/
GUB4	23	18	14	11	10	7	4	3
GUB5	45	36	27	24	18	12	6	3
GUBW1	6	3	3	2	2	1	1	/
GUBW03	12	9	8	6	6	3	2	2
GUBW23	9	8	8	5	3	3	2	/
GUBW4	23	18	14	11	10	7	4	3

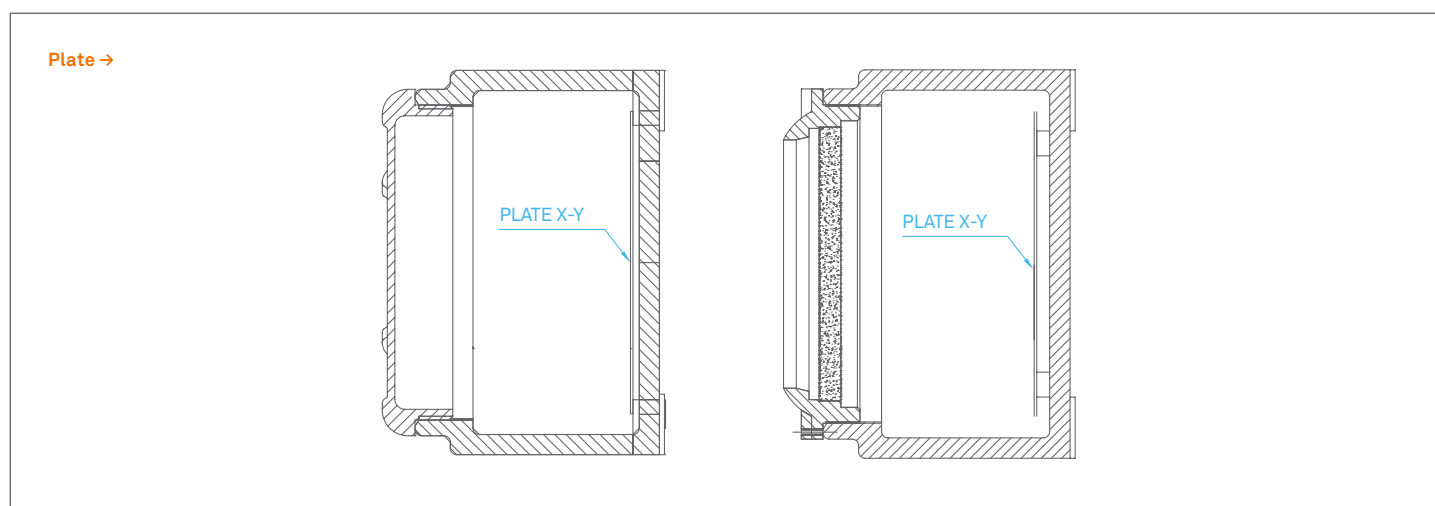
Reference details



Indicative quantity of terminals and relevant section

Code	Sect. 2,5 [sq/mm]	Sect. 6,0 [sq/mm]	Sect. 10,0 [sq/mm]	Sect. 16,0 [sq/mm]	Sect. 35,0 [sq/mm]	Sect. 50,0 [sq/mm]	Sect. 70,0 [sq/mm]	Sect. 240,0 [sq/mm]	Int. plate X - Y [mm]
GUB00	8 x 1	4 x 1	4 x 1	2 x 1	2 x 1	-	-	-	Ø90
GUB0	12 x 1	6 x 1	6 x 1	4 x 1	4 x 1	2 x 1	1 x 1	-	110 - 110
GUB1	20 x 1	10 x 1	10 x 1	6 x 1	6 x 1	4 x 1	2 x 1	1 x 1	150 - 150
GUB03	34 x 1	20 x 1	18 x 1	14 x 1	10 x 1	8 x 1	6 x 1	4 x 1	220 - 200
GUB23	26 x 1	16 x 1	14 x 1	12 x 1	8 x 1	6 x 1	4 x 1	1 x 1	180 - 180
GUB4	48 x 2	28 x 2	24 x 2	20 x 2	12 x 2	10 x 2	8 x 1	4 x 1	280 - 280
GUB5	64 x 3	40 x 3	36 x 3	30 x 3	11 x 3	16 x 3	16 x 1	6 x 2	490 - 490
GUBW1	20 x 1	10 x 1	10 x 1	6 x 1	6 x 1	4 x 1	2 x 1	1 x 1	150 - 150
GUBW03	34 x 1	20 x 1	18 x 1	14 x 1	10 x 1	8 x 1	6 x 1	4 x 1	220 - 200
GUBW23	26 x 1	16 x 1	14 x 1	12 x 1	8 x 1	6 x 1	4 x 1	1 x 1	180 - 180
GUBW4	48 x 2	28 x 2	24 x 2	20 x 2	12 x 2	10 x 2	8 x 1	4 x 1	280 - 280

Reference details



Threads comparison table

Size	EN10226-2	ISO 228-1	B1.20.1	ISO 262
0	R-Rc 1/8"	G 1/8"	1/8" NPT	M10
1	R-Rc 1/2"	G 1/2"	1/2" NPT	M20
2	R-Rc 3/4"	G 3/4"	3/4" NPT	M25
3	R-Rc 1"	G 1"	1" NPT	M32
4	R-Rc 1-1/4"	G 1-1/4"	1-1/4" NPT	M40
5	R-Rc 1-1/2"	G 1-1/2"	1-1/2" NPT	M50
6	R-Rc 2"	G 2"	2" NPT	M63
7	R-Rc 2-1/2"	G 2-1/2"	2-1/2" NPT	M75
8	R-Rc 3"	G 3"	3" NPT	M90
9	-	G 3-1/2"	3-1/2" NPT	M100
10	R-Rc 4"	G 4"	4" NPT	-

REMARK:

Due to the development of the national and international specifications and of the technology, the above technical characteristics showed on this bulletin can be considered as binding on our confirmation only.