

# EJB..X

## Enclosures



### Installation

hazardous areas - Zone 1 / 2 (Gases) - Zone 21 / 22 (Dusts)

### Classification

Group II - Category 2G 2D

### Reference standards

| Directive 2014/34/EU            |  |
|---------------------------------|--|
| Execution                       | (Ex II 2 G) Ex db IIA or IIB or IIB+H2 T6...T3<br>(Ex II 2 G) Ex db [ia/ib IIA or IIB or IIC Ga] IIA or IIB or IIB+H2 T6<br>(Ex II 2 D) Ex tb IIIC T85°C...T200°C<br>(Ex II 2 D) Ex tb [ia Da/ib] IIIC T85°C   |
| Rules of compliance             | EN/IEC 60079-0; EN/IEC 60079-1; EN/IEC 60079-11; EN/IEC 60079-31   |
| EU type-examination certificate | INERIS 13 ATEX 0022X   |
| Protection degree               | IP66   |
| Ambient temperature             | -60 °C ÷ +80 °C  |
| Other available certificates    | ATEX Component: INERIS 13 ATEX 9019U<br>IECEx: IECEx INE 13_0070X<br>INMETRO: CEPEL 12.2139X<br>NEC 505: UL 20141122-E344596 - Type rating NEMA 1, 12, 4 and 4X<br>IECEx: IECEx INE 13.0083U<br>CCC: 2021122304114053<br>ECASEx: 23-06-22481/Q23-06-048569/NB0002<br>CCOOE-PESO: P531827<br>EAC: EA3C KZ 7500525.01.01.02096 |

### Mechanical characteristics

|                         |  |
|-------------------------|--|
| Body/cover              | stainless steel AISI-316 L   |
| Screws                  | stainless steel AISI-316 L   |
| Internal mounting plate | stainless steel AISI-316 L   |
| Fixing                  | fixing lugs stainless steel AISI-316 L - stainless steel stirrups sp.10 mm (EJB71/73 and EJB91/93) |
| Hinges                  | welded on cover and body   |
| Opening handle          | insulating material fixed on cover by stainless steel screws                                       |

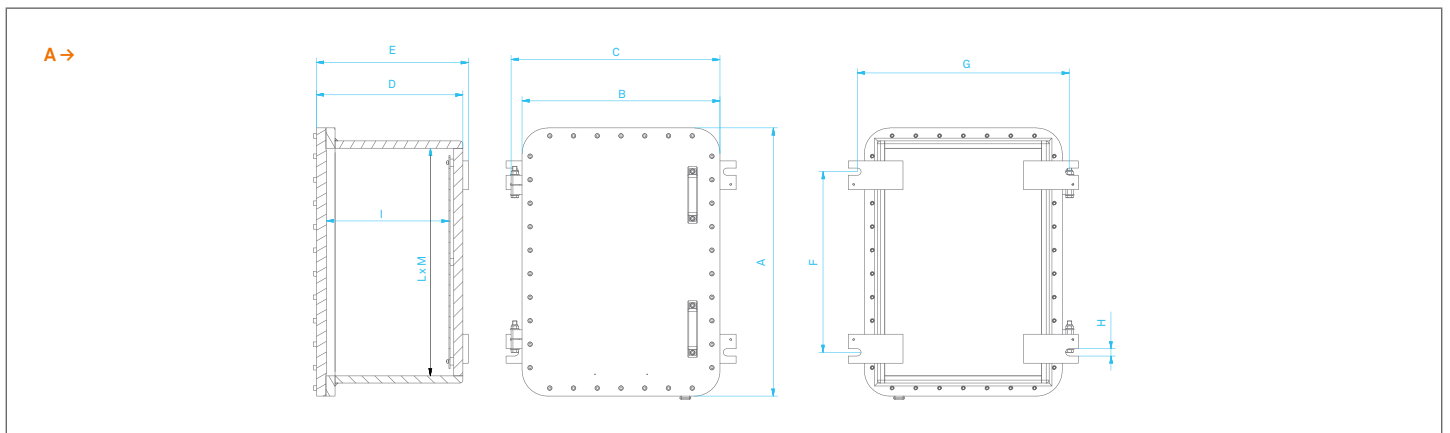
### On Request Accessories

- External epoxy painting (any colours)
- Internal anticondensate painting orange RAL-2004
- O-Ring gaskets on cover
- Glass windows on cover
- Drain and breather valves

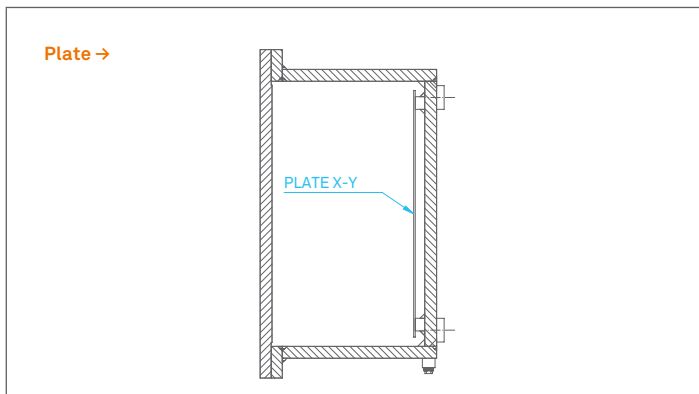
**Technical Features**

| Code   | A [mm] | B [mm] | C [mm] | D [mm] | E [mm] | F [mm] | G [mm] | H [mm] | I [mm] | L [mm] | M [mm] | Int. plate X - Y [mm] | Weight [kg] | Detail |
|--------|--------|--------|--------|--------|--------|--------|--------|--------|--------|--------|--------|-----------------------|-------------|--------|
| EJB21X | 285    | 245    | 267    | 164    | 174    | 160    | 230    | 11     | 121    | 215    | 175    | 180 - 140             | 32,00       | A      |
| EJB31X | 415    | 315    | 337    | 243    | 253    | 294    | 290    | 13     | 195    | 345    | 245    | 325 - 225             | 62,00       | A      |
| EJB51X | 576    | 374    | 396    | 253    | 263    | 360    | 355    | 13     | 200    | 487    | 287    | 450 - 250             | 110,00      | A      |
| EJB61X | 670    | 470    | 491    | 344    | 354    | 500    | 437    | 13     | 307    | 580    | 380    | 560 - 360             | 152,00      | A      |
| EJB63X | 670    | 470    | 491    | 229    | 239    | 500    | 437    | 13     | 182    | 580    | 380    | 560 - 360             | 140,00      | A      |
| EJB71X | 742    | 542    | 572    | 401    | 409    | 500    | 580    | 20     | 331    | 632    | 432    | 590 - 390             | 222,00      | A      |
| EJB73X | 742    | 542    | 572    | 279    | 287    | 500    | 580    | 20     | 213    | 632    | 432    | 590 - 390             | 190,00      | A      |
| EJB91X | 960    | 660    | 697    | 432    | 444    | 600    | 640    | 20     | 350    | 825    | 525    | 750 - 448             | 419,00      | A      |
| EJB93X | 960    | 660    | 697    | 275    | 287    | 600    | 640    | 20     | 193    | 825    | 525    | 750 - 448             | 350,00      | A      |

**Reference details**



**Reference details**



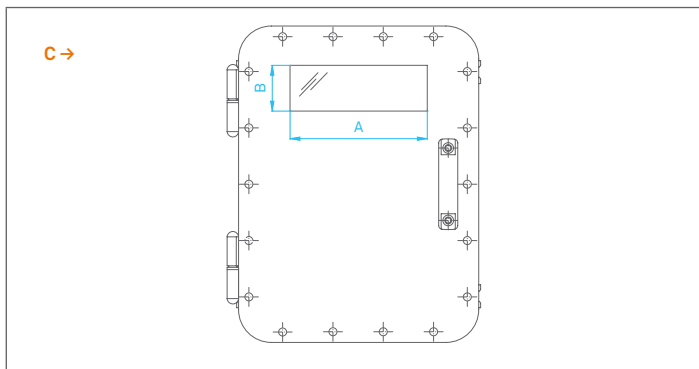
**Indicative quantity of terminals and relevant section**

| Code         | SEZ. 2,5 [sq/mm] | SEZ. 6,0 [sq/mm] | SEZ. 10,0 [sq/mm] | SEZ. 16,0 [sq/mm] | SEZ. 35,0 [sq/mm] | SEZ. 50,0 [sq/mm] | SEZ. 70,0 [sq/mm] | SEZ. 240,0 [sq/mm] | Int. plate X - Y [mm] |
|--------------|------------------|------------------|-------------------|-------------------|-------------------|-------------------|-------------------|--------------------|-----------------------|
| EJB21X       | 30 x 1           | 20 x 1           | 14 x 1            | 12 x 1            | 9 x 1             | 7 x 1             | 5 x 1             | 1 x 1              | 180 - 140             |
| EJB31X       | 52 x 2           | 32 x 2           | 24 x 2            | 20 x 2            | 14 x 2            | 12 x 1            | 8 x 1             | 4 x 1              | 300 - 200             |
| EJB51X       | 80 x 2           | 46 x 2           | 36 x 2            | 30 x 2            | 22 x 2            | 18 x 2            | 16 x 1            | 6 x 1              | 450 - 250             |
| EJB61X / 63X | 92 x 3           | 58 x 3           | 46 x 3            | 38 x 3            | 28 x 3            | 26 x 2            | 22 x 2            | 12 x 1             | 530 - 330             |
| EJB71X / 73X | 110 x 3          | 70 x 3           | 56 x 3            | 46 x 3            | 34 x 3            | 28 x 2            | 24 x 2            | 12 x 1             | 590 - 390             |
| EJB91X / 93X | 140 x 3          | 90 x 3           | 70 x 3            | 60 x 3            | 44 x 3            | 36 x 3            | 32 x 2            | 14 x 2             | 750 - 440             |

**Glass windows on cover**

| Window code | Window type | EJB21X | EJB31X | EJB51X | EJB61X/63X | EJB71X/73X | EJB91X/93X | Dimensions |        | Detail |
|-------------|-------------|--------|--------|--------|------------|------------|------------|------------|--------|--------|
|             |             |        |        |        |            |            |            | A [mm]     | B [mm] |        |
| KITF1FTC    | F1          | x      | x      | x      | x          | x          | x          | 60         | 60     | C      |
| KITF2STC    | F2          | x      | x      | x      | x          | x          | x          | 75         | 75     | C      |
| KITF3STC    | F3          | x      | x      | x      | x          | x          | x          | 110        | 75     | C      |
| KITF4STC    | F4          | x      | x      | x      | x          | x          | -          | 150        | 75     | C      |
| KITF5STC    | F5          | -      | x      | x      | x          | -          | -          | 150        | 150    | C      |
| KITF6STC    | F6          | -      | -      | x      | x          | -          | -          | 300        | 75     | C      |
| KITF7STC    | F7          | -      | -      | x      | x          | -          | -          | 300        | 150    | C      |
| KITF8C      | F8          | -      | -      | -      | x          | -          | -          | 300        | 300    | C      |
| KITF9C      | F9          | -      | -      | -      | x          | -          | -          | 450        | 300    | C      |

**Reference details**



**Body and cover enclosures indicative maximum quantity of holes of the same size**

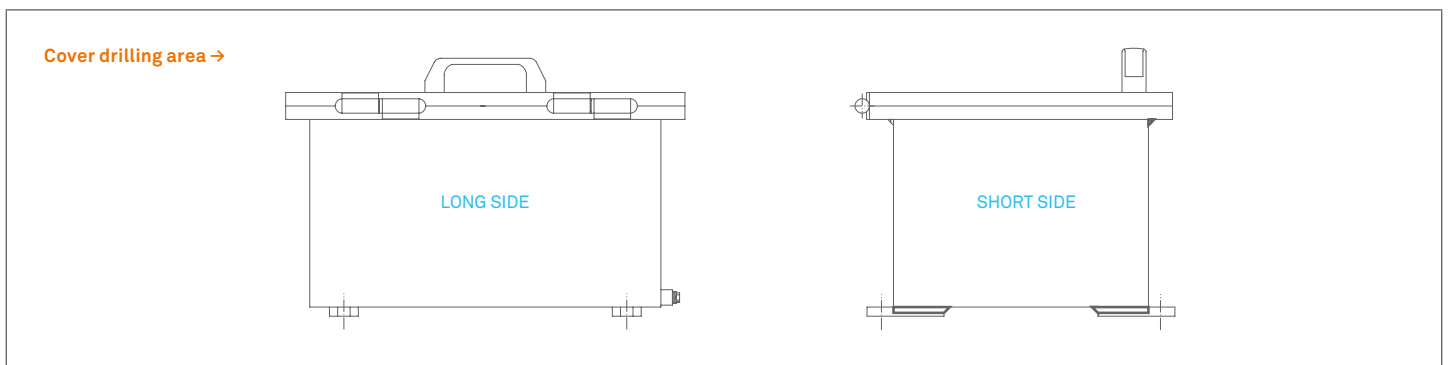
**Drilling area long side**

| Enclosure code | Quantity allowed entries for size (from 1 to size 8) |    |    |    |    |    |    |    |
|----------------|--|----|----|----|----|----|----|----|
|                | 1  | 2  | 3  | 4  | 5  | 6  | 7  | 8  |
| EJB21X         | 10   | 7  | 5  | 3  | 2  | 2  | 1  | -  |
| EJB31X         | 28   | 18 | 14 | 11 | 8  | 6  | 3  | 2  |
| EJB51X         | 44   | 27 | 24 | 20 | 12 | 10 | 6  | 3  |
| EJB61X         | 72   | 50 | 36 | 32 | 21 | 21 | 14 | 8  |
| EJB63X         | 36   | 29 | 18 | 16 | 14 | 7  | 5  | 4  |
| EJB71X         | 90   | 55 | 46 | 39 | 32 | 21 | 15 | 10 |
| EJB73X         | 40   | 26 | 22 | 18 | 14 | 12 | 7  | 4  |
| EJB91X         | 112  | 84 | 65 | 55 | 40 | 28 | 23 | 14 |
| EJB93X         | 48   | 42 | 29 | 22 | 10 | 11 | 9  | 5  |

**Drilling area short side**

| Enclosure code | Quantity allowed entries for size (from 1 to size 8) |    |    |    |    |    |    |   |
|----------------|--|----|----|----|----|----|----|---|
|                | 1  | 2  | 3  | 4  | 5  | 6  | 7  | 8 |
| EJB21X         | 8  | 5  | 4  | 3  | 2  | 1  | 1  | - |
| EJB31X         | 20   | 12 | 9  | 8  | 6  | 5  | 2  | 1 |
| EJB51X         | 24   | 15 | 12 | 11 | 6  | 6  | 3  | 2 |
| EJB61X         | 48   | 30 | 24 | 20 | 12 | 12 | 8  | 6 |
| EJB63X         | 24   | 17 | 12 | 10 | 8  | 4  | 3  | 3 |
| EJB71X         | 59   | 35 | 28 | 25 | 21 | 12 | 10 | 6 |
| EJB73X         | 26   | 18 | 14 | 12 | 8  | 11 | 4  | 2 |
| EJB91X         | 70   | 42 | 35 | 35 | 24 | 18 | 13 | 8 |
| EJB93X         | 30   | 24 | 21 | 14 | 12 | 7  | 5  | 3 |

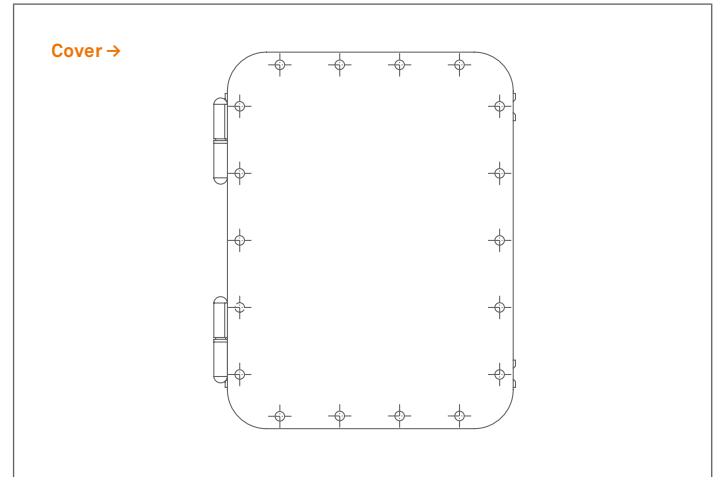
**Reference details**



**Max allowed q.ty of push button and pilot light**

| Cover drilling area |                         |
|---------------------|-------------------------|
| Cover drilling area | Max operators permitted |
| EJB21X              | 12                      |
| EJB31X              | 30                      |
| EJB51X              | 54                      |
| EJB61X              | 56                      |
| EJB63X              | 56                      |
| EJB71X              | 48                      |
| EJB73X              | 48                      |
| EJB91X              | 54                      |
| EJB93X              | 54                      |

**Cover drilling area**



**Threads comparison table**

| Size | EN10226-2   | ISO 228-1 | B1.20.1    | ISO 262 |
|------|-------------|-----------|------------|---------|
| 0    | R-Rc 1/8"   | G 1/8"    | 1/8" NPT   | M10     |
| 1    | R-Rc 1/2"   | G 1/2"    | 1/2" NPT   | M20     |
| 2    | R-Rc 3/4"   | G 3/4"    | 3/4" NPT   | M25     |
| 3    | R-Rc 1"     | G 1"      | 1" NPT     | M32     |
| 4    | R-Rc 1-1/4" | G 1-1/4"  | 1-1/4" NPT | M40     |
| 5    | R-Rc 1-1/2" | G 1-1/2"  | 1-1/2" NPT | M50     |
| 6    | R-Rc 2"     | G 2"      | 2" NPT     | M63     |
| 7    | R-Rc 2-1/2" | G 2-1/2"  | 2-1/2" NPT | M75     |
| 8    | R-Rc 3"     | G 3"      | 3" NPT     | M90     |
| 9    | -           | G 3-1/2"  | 3-1/2" NPT | M100    |
| 10   | R-Rc 4"     | G 4"      | 4" NPT     | M115    |

REMARK:

Due to the development of the national and international specifications and of the technology, the above technical characteristics showed on this bulletin can be considered as binding on our confirmation only.