

# PNAFB

## Barrier cable glands for unarmoured cables



### Installation

hazardous areas - Zone 1 / 2 (Gases) - Zone 21 / 22 (Dusts)

### Classification

Group II - Category 2G 2D / 3G 3D

### Mechanical characteristics

<b>Body / cap</b>	Standard production: OT-58 brass UNI EN12164/5 (ON) AISI-316L stainless steel (XX) Marine grade copper free aluminium (AL) (on project request only)  On request production: CW711R naval brass EN 12164/8 CW712R naval brass EN 12163/7 CW719R naval brass EN 12163/7 CW724R brass EN 12163/7 CW510L brass EN 12163/7
<b>Finishes</b>	full nickel plating treatment (brass material only)
<b>Rubber rings</b>	EPDM rubber 50-60 shore hardness (standard supply)  SILICON rubber 60 shore hardness (on demand only)
<b>O-ring</b>	silicon rubber - 60 shore hardness
<b>Skid washer</b>	nylon 6.0
<b>Chamber for sealing</b>	OT-58 brass OT-58 nickel plated brass (on demand) AISI-316L stainless steel (on demand)

### Reference standards

<b>Directive 2014/34/EU</b>	
<b>Execution</b>	<ul style="list-style-type: none"> <li>Ⓜ II 2 G Ex db / Ex eb/ Ex ia/ IIC Gb</li> <li>Ⓜ II 2 D Ex tb IIIC Db</li> <li>Ⓜ II 3 G Ex nR IIC Gc</li> <li>Ⓜ II 3 D Ex tc IIIC Dc</li> </ul>
<b>Rules of compliance</b>	EN/IEC 60079-0; EN/IEC 60079-1; EN/IEC 60079-7; EN/IEC 60079-11; EN/IEC 60079-15; EN/IEC 60079-31
<b>EU Type-Examination Certificate</b>	INERIS 09 ATEX 0028X INERIS 23 ATEX 3004X (Ex nR only)
<b>Protection degree</b>	IP66 or IP66/68
<b>Ambient temperature</b>	-40 °C ÷ +90 °C (Rubber rings EPDM-60) -60 °C ÷ +100 °C (Rubber rings SILICON)
<b>Other Available Certificates</b>	IECEx: IECEx INE 11.0017X ECASEx: 23-06-22481/Q23-06-048569/NB0002 INMETRO: CEPEL 12.2177X KC: in progress

### Applications

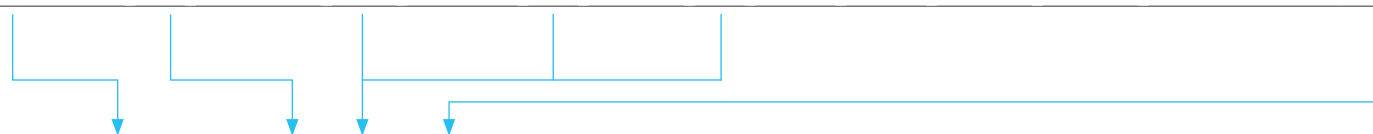
For unarmoured cables only
Suitable for flexible conduit coupling connection by threaded cap (uni iso 228)
Single compression type suitable for indoor and outdoor use
Single compression - on cable (inner sealing)
Sealing with proper resin into "chamber of sealing"

### On Request Accessories

- Locknuts, Gaskets, PVC Shrouds, Earthing Tags, Sealing, (See DL-NW-PTD-ET bulletin)

**Cable gland selection table**

Code (1)	Size	Entry thread size						Inner sheath dia.		Female thread	Hexagon	Material	
		Metric	(2)	NPT	(2)	ISO 228	(2)	min [mm]	max [mm]	UNI ISO 228 (4)	[mm]	(3)	(3)
PNAFB#	00	ISO-M16	M	3/8" NPT	N	3/8"	G	4.0	7.0	3/8"	24.0	Nickel pl. brass	ON
		ISO-M20	M	1/2" NPT	N	1/2"	G	7.0	10.0	1/2"	32.0	Stainless steel	XX
								4.0	7.0			Nickel pl. brass	ON
								7.0	10.0			Stainless steel	XX
PNAFB#	01	ISO-M20	M	1/2" NPT	N	1/2"	G	5.5	8.0	1/2"	32.0	Nickel pl. brass	ON
								8.0	10.5				
								10.5	13.0				
PNAFB#	02	ISO-M25	M	3/4" NPT	N	3/4"	G	10.5	13.0	3/4"	36.0	Nickel pl. brass	ON
								13.0	15.5				
								15.5	18.0				
PNAFB#	03	ISO-M32	M	1" NPT	N	1"	G	15.0	18.0	1"	45.0	Nickel pl. brass	ON
								18.0	21.0				
								21.0	24.0				
PNAFB#	04	ISO-M40	M	1 1/4" NPT	N	1 1/4"	G	21.0	24.0	1 1/4"	53.0	Nickel pl. brass	ON
								24.0	27.0				
								27.0	30.0				
PNAFB#	05	ISO-M50	M	1 1/2" NPT	N	1 1/2"	G	24.0	27.0	1 1/2"	61.0	Nickel pl. brass	ON
								27.0	30.0				
								30.0	33.0				
								33.0	36.0				
PNAFB#	06	ISO-M63	M	2" NPT	N	2"	G	36.0	39.0	2"	71.0	Nickel pl. brass	ON
								39.0	42.0				
								42.0	45.0				
PNAFB#	07	ISO-M75	M	2 1/2" NPT	N	2 1/2"	G	42.0	45.0	2 1/2"	84.0	Nickel pl. brass	ON
								45.0	48.0				
								48.0	51.0				
								51.0	54.0				
PNAFB#	08	ISO-M90	M	3" NPT	N	3"	G	52.0	56.0	3"	101.0	Nickel pl. brass	ON
								56.0	59.0				
								59.0	62.0				
								62.0	65.0				
								65.0	68.0				
PNAFB#	09	ISO-M100	M	4" NPT	N	4"	G	68.0	74.0	4"	126.0	Nickel pl. brass	ON
								74.0	80.0				
								80.0	86.0				
								86.0	92.0				

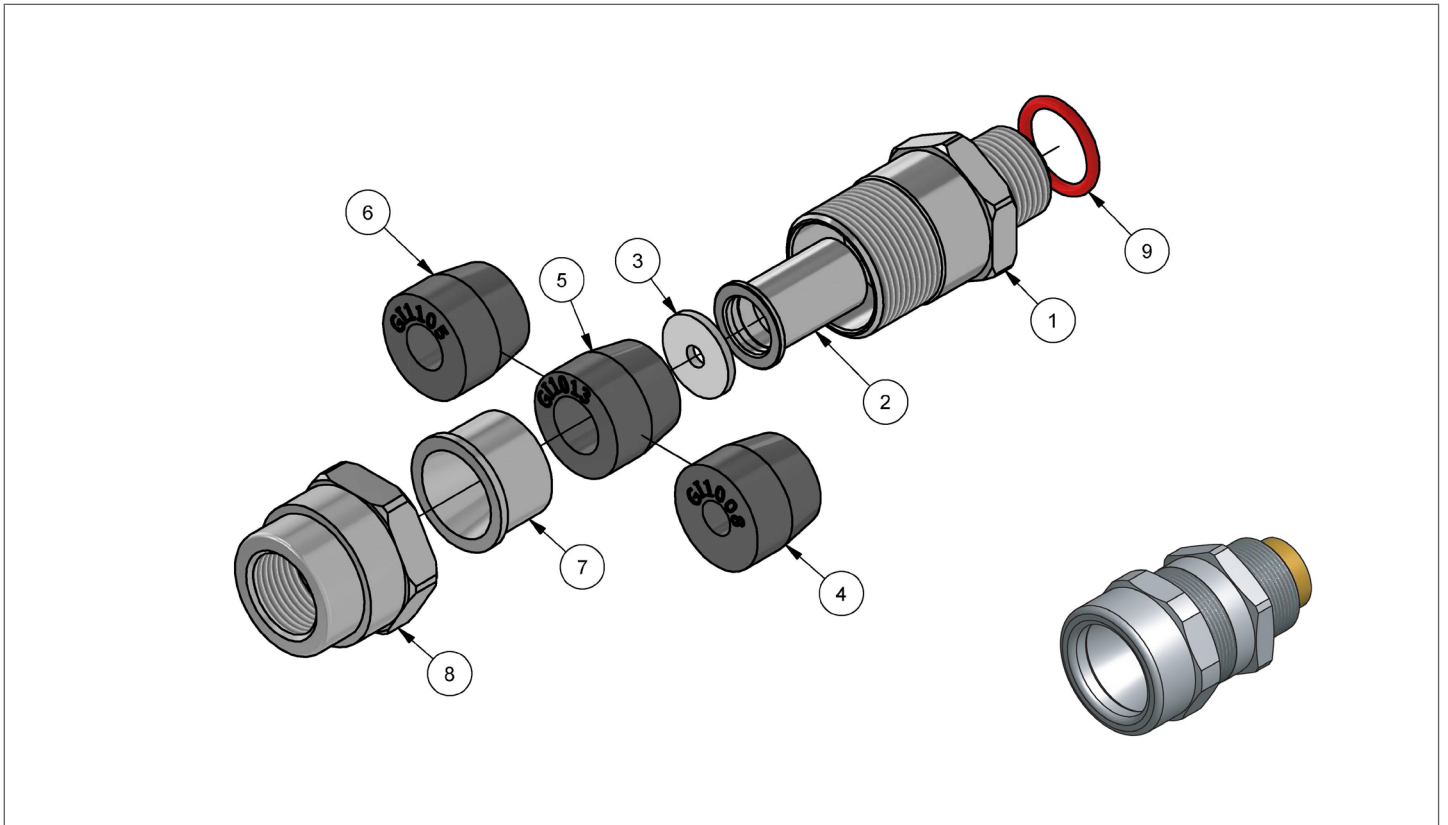


P	N	A	F	B	#	0	1	M	O	N	→ PNAFB01MON (barrier cable gland nickel plated brass ISO-M20 THR.)
P	N	A	F	B	#	0	2	N	X	X	→ PNAFB02NXX (barrier cable gland stainless steel 3/4" NPT THR.)

**Cable gland ordering examples**

Legend		
(1) –	cable gland type/model	PNAFB# = non-barrier cable gland
(2) –	threading	M = ISO metric pitch 1,5mm / N = NPT (ANSI/ASME B1.20.1) / G = ISO-228
(3) –	cable gland material	ON – nickel plated brass / XX = AISI-316l stainless steel
(4) –	female thread	ISO-228 female thread suitable for flexible conduit coupling

**PNAFB dimensional**



1	Barrier cable gland body
2	Sealing chamber
3	Resin seal rubber
4 - 5 - 6	Inner rubber seal
7	Pushing seal cone
8	Gland nut
9	Or gasket (metric thread only)

Flowable epoxy resin RSN#C0200 (in cans of 200 g)	
Cable gland size	Resin quantity [g]
0	4
1	7
2	12
3	21
4	36
5	53
6	86
7	159
8	250
9	533

Epoxy resin paste kit INN#BR0525			
Code	Cable gland size	Resin quantity [kit]	
INN-BR0525-1	0	1	
INN-BR0525-1	1	1	
INN-BR0525-2	2	1	
INN-BR0525-3	3	1	
INN-BR0525-5	4	1	
INN-BR0525-5	5	1	
INN-BR0525-6	6	1	
INN-BR0525-7	7	1	
INN-BR0525-8	8	1	
INN-BR0525-8	9	2	

REMARK:

Due to the development of the national and international specifications and of the technology, the above technical characteristics showed on this bulletin can be considered as binding on our confirmation only.