

# PNAB

## Barrier cable glands for unarmoured cables



### Installation

hazardous areas - Zone 1 / 2 (Gases) - Zone 21 / 22 (Dusts)

### Classification

Group II - Category 2G 2D / 3G 3D

### Mechanical characteristics

Body / cap	Standard production: OT-58 brass UNI EN12164/5 (ON) AISI-316L stainless steel (XX) Marine grade copper free aluminium (AL) (on project request only)  On request production: CW711R naval brass EN 12164/8 CW712R naval brass EN 12163/7 CW719R naval brass EN 12163/7 CW724R brass EN 12163/7 CW510L brass EN 12163/7
Finishes	full nickel plating treatment (brass material only)
Rubber rings	EPDM rubber 50-60 shore hardness (standard supply)  SILICON rubber 60 shore hardness (on demand only)
O-ring	silicon rubber - 60 shore hardness
Skid washer	nylon 6.0
Chamber for sealing	OT-58 brass OT-58 nickel plated brass (on demand) AISI-316L stainless steel (on demand)

### Reference standards

Directive 2014/34/EU	
Execution	Ⓜ II 2 G Ex db / Ex eb/ Ex ia/ IIC Gb Ⓜ II 2 D Ex tb IIIC Db Ⓜ II 3 G Ex nR IIC Gc Ⓜ II 3 D Ex tc IIIC Dc
Rules of compliance	EN/IEC 60079-0; EN/IEC 60079-1; EN/IEC 60079-7; EN/IEC 60079-11; EN/IEC 60079-15; EN/IEC 60079-31
EU Type-Examination Certificate	INERIS 09 ATEX 0028X INERIS 23 ATEX 3004X (Ex nR only)
Protection degree	IP66 or IP66/68
Ambient temperature	-40 °C ÷ +90 °C (Rubber rings EPDM-60) -60 °C ÷ +100 °C (Rubber rings SILICON)
Other Available Certificates	IECEx: IECEx INE 11.0017X ECASEx: 23-06-22481/Q23-06-048569/NB0002 INMETRO: CEPEL 12.2177X KC: in progress

### Applications

For unarmoured cables only
Single compression type suitable for indoor and outdoor use
Single compression - on cable (inner sealing)
Sealing with proper resin into "chamber of sealing"

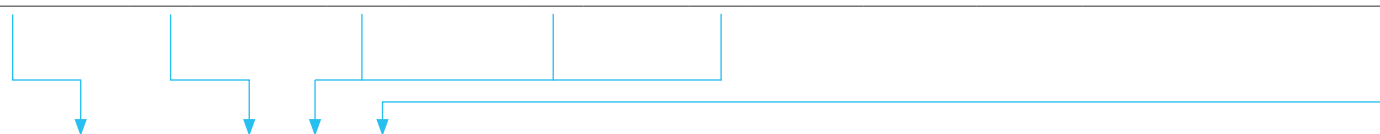
### On Request Accessories

- Locknuts, Gaskets, PVC Shrouds, Earthing Tags, Sealing, (See DL-NW-PTD-ET bulletin)



**Cable gland selection table**

Code (1)	Size	Entry thread size						Inner sheath dia.		Hexagon [mm]	Material							
		Metric	(2)	NPT	(2)	ISO 228	(2)	min [mm]	max [mm]		(3)							
PNAB#	00	ISO-M16	M	3/8" NPT	N	3/8"	G	4.0	7.0	24.0	Nickel pl. brass	ON						
		ISO-M20	M	1/2" NPT	N	1/2"	G	7.0	10.0		Stainless steel	XX						
										32.0	Nickel pl. brass	ON						
											Stainless steel	XX						
PNAB#	01	ISO-M20	M	1/2" NPT	N	1/2"	G	5.5	8.0	32.0	Nickel pl. brass	ON						
								8.0	10.5		Stainless steel	XX						
								10.5	13.0									
PNAB#	02	ISO-M25	M	3/4" NPT	N	3/4"	G	10.5	13.0	36.0	Nickel pl. brass	ON						
								13.0	15.5		Stainless steel	XX						
PNAB#	03	ISO-M32	M	1" NPT	N	1"	G	15.0	18.0	45.0	Nickel pl. brass	ON						
								18.0	21.0		Stainless steel	XX						
								21.0	24.0									
PNAB#	04	ISO-M40	M	1 1/4" NPT	N	1 1/4"	G	21.0	24.0	53.0	Nickel pl. brass	ON						
								24.0	27.0		Stainless steel	XX						
PNAB#	05	ISO-M50	M	1 1/2" NPT	N	1 1/2"	G	24.0	27.0	61.0	Nickel pl. brass	ON						
								27.0	30.0		Stainless steel	XX						
PNAB#	06	ISO-M63	M	2" NPT	N	2"	G	36.0	39.0	71.0	Nickel pl. brass	ON						
								39.0	42.0		Stainless steel	XX						
								42.0	45.0									
PNAB#	07	ISO-M75	M	2 1/2" NPT	N	2 1/2"	G	42.0	45.0	84.0	Nickel pl. brass	ON						
								45.0	48.0		Stainless steel	XX						
PNAB#	08	ISO-M90	M	3" NPT	N	3"	G	52.0	56.0	101.0	Nickel pl. brass	ON						
								56.0	59.0		Stainless steel	XX						
PNAB#	09	ISO-M115	M	4" NPT	N	4"	G	68.0	74.0	126.0	Nickel pl. brass	ON						
								74.0	80.0		Stainless steel	XX						



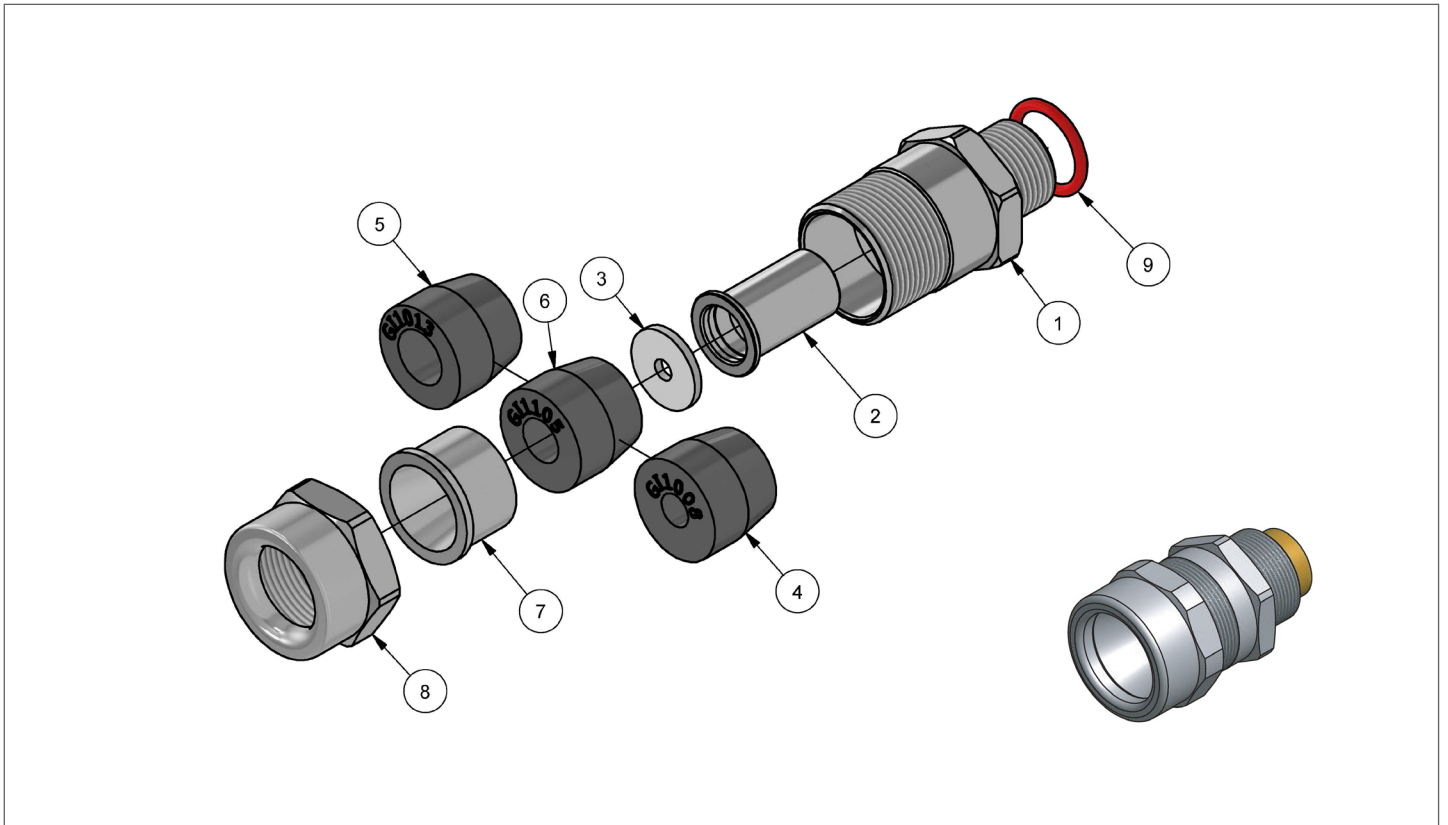
P	N	A	B	#	0	1	M	O	N	→ PNAB#01MON (barrier cable gland nickel plated brass ISO-M20 THR.)
P	N	A	B	#	0	3	N	X	X	→ PNAB#03NXX (barrier cable gland stainless steel 1" NPT THR.)

**Cable gland ordering examples**

**Legend**

(1) –	cable gland type/model	PNAB# = barrier cable gland
(2) –	threading	M = ISO metric pitch 1,5mm / N =NPT (ANSI/ASME B1.20.1) / G = ISO-228
(3) –	cable gland material	ON – nickel plated brass / XX = AISI-316l stainless steel

**PNAB dimensional**



1	Barrier cable gland body
2	Sealing chamber
3	Resin seal rubber
4 - 5 - 6	Inner rubber seal
7	Pushing seal cone
8	Gland nut
9	Or gasket (metric thread only)

Flowable epoxy resin RSN#C0200 (in cans of 200 g)	
Cable gland size	Resin quantity [g]
0	4
1	7
2	12
3	21
4	36
5	53
6	86
7	159
8	250
9	533

Epoxy resin paste kit INN#BR0525		
Code	Cable gland size	Resin quantity [kit]
INN-BR0525-1	0	1
INN-BR0525-1	1	1
INN-BR0525-2	2	1
INN-BR0525-3	3	1
INN-BR0525-5	4	1
INN-BR0525-5	5	1
INN-BR0525-6	6	1
INN-BR0525-7	7	1
INN-BR0525-8	8	1
INN-BR0525-8	9	2

REMARK:

Due to the development of the national and international specifications and of the technology, the above technical characteristics showed on this bulletin can be considered as binding on our confirmation only.