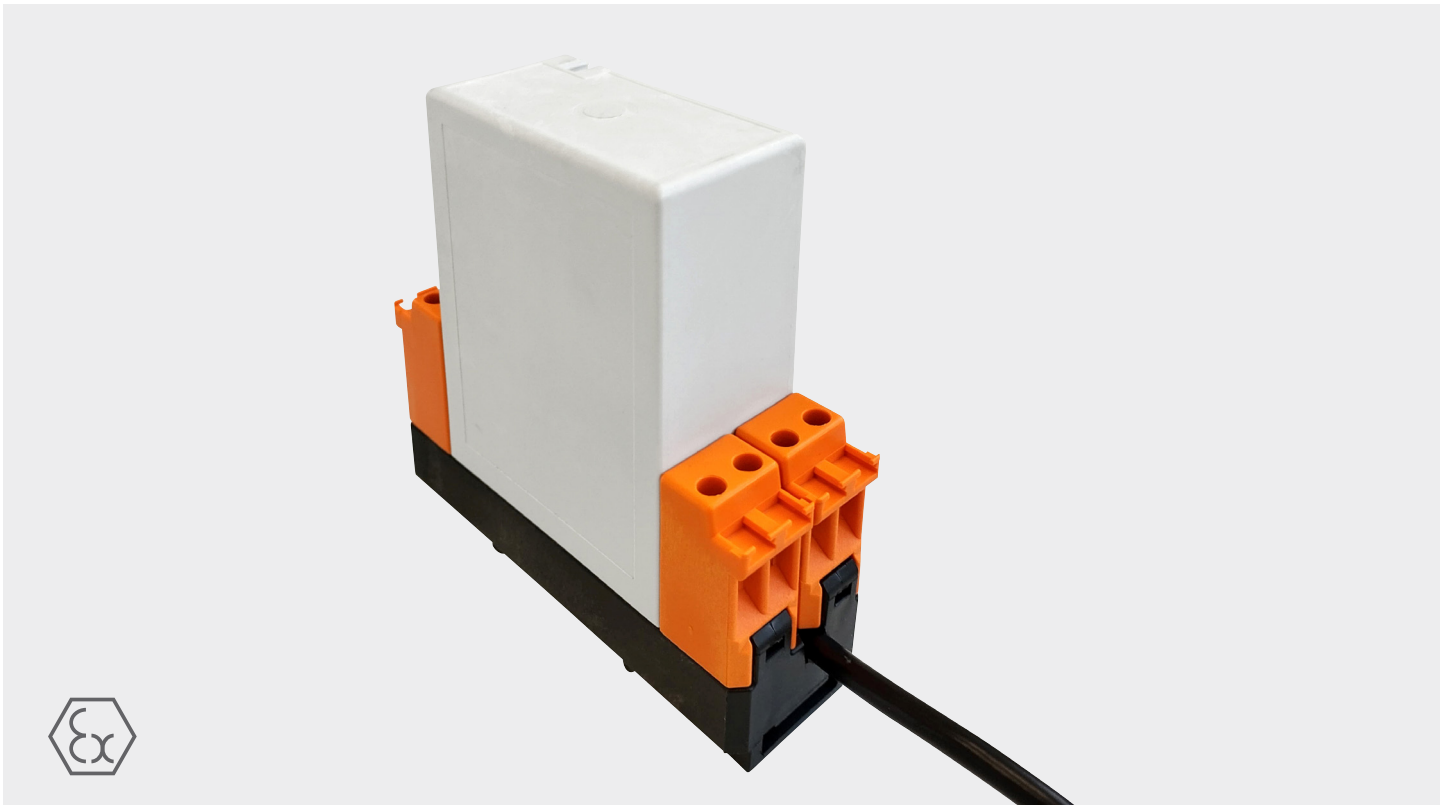


# MODEX RFID Enclosure for Zone 1/21

Type 07-7322-93C1\*\*\*\*



The MODEX RFID housing for zone 1 , type: 07-7322-93C1\*\*\*\*, is suitable for nonexplosion-proof communication devices such as RFID modules.

Various RFID systems are used in industry. The MODEX housing makes it possible to easily bring the most common RFID modules into the hazardous area. Due to the plastic housing, radio signals are not interfered with and so the standard RFID systems can also be used in explosion-proof areas.

Current portfolio RFID series in MODEX-housing:

- Siemens / SIMATIC RF1000
- PHG ADMITTO / EBL
- rf IDEAS / WAVE ID Plus Mini
- HID Global / OMNIKEY

**Explosion protection**

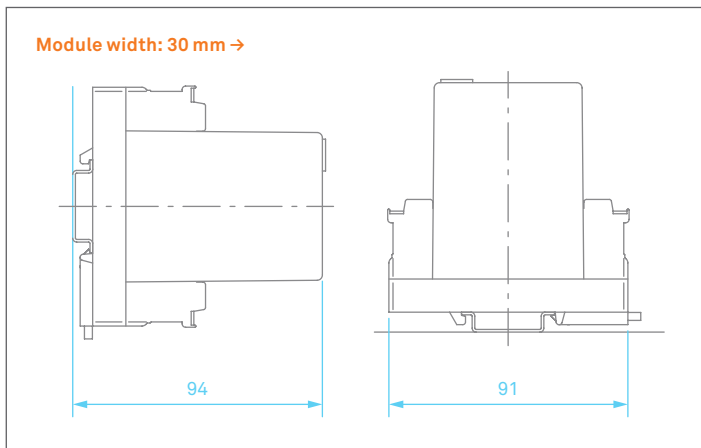
Marking ATEX	EPS 23 ATEX 1208X
Ex protection type	Ⓜ II 2G Ex db IIC T4 Gb
Standards	See EU Declaration of Conformity
Marking IECEx	IECEx EPS 23.0049X
Ex protection type	Ex db IIC T4 Gb
CE marking	CE 0044
Directives	2014/34/EU
Further certificates	bartec.com
Co-applicable documents	Data sheet for the MODEX modules Declaration of EU conformity

The marking is variable and depends on type and components used.  
Other approvals and certificates see [bartec.com](http://bartec.com)

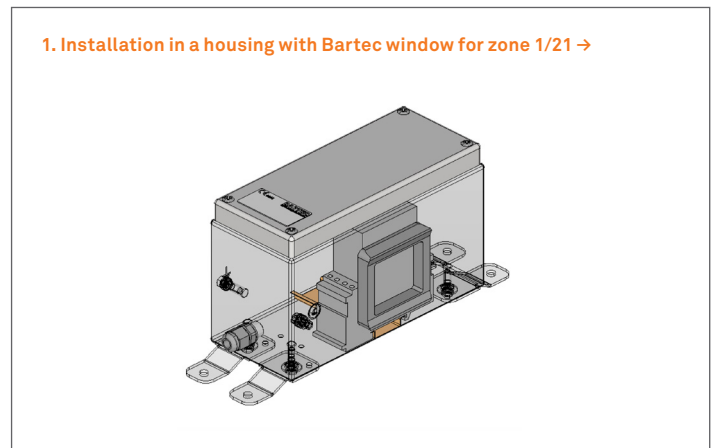
Construction	Flameproof snap-on housing for TH35
Enclosure material	high-quality thermoplastics
Electric connections	cable
Attachment	onto mounting rail
Terminal marking	inscription label
Weight	0,3 kg
Dimensions (width x height x depth)	30 x 94 x 91 mm

Built in RFID-Series	WAVE ID Plus Mini	RFID-System SIMATIC RF1000	PHG ADMITTO / EBL	Omniquey 5022
Ambient temperature	-20 °C to +55 °C	-20 °C to +45 °C	-20 °C to +48 °C	0 °C to +57 °C
Input voltage	USB 2.0 (5 V)	USB 2.0 (5 V)	USB 2.0 (5 V)	USB 2.0 (5 V)
Input voltage range	Typical: 65 mA / max. 185 mA	Typical: 150 mA / max. 300 mA	Typical: 150 mA / max. 300 mA	Typical: 150 mA / max. 300 mA
Power consumption typ.	325 mW	750 mW	850 mW	200 mW
Power consumption max.	925 mW	1,5 W	2,15 W	500 mW

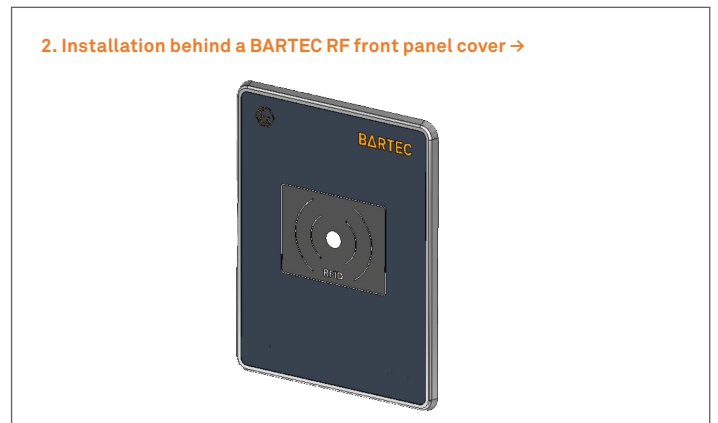
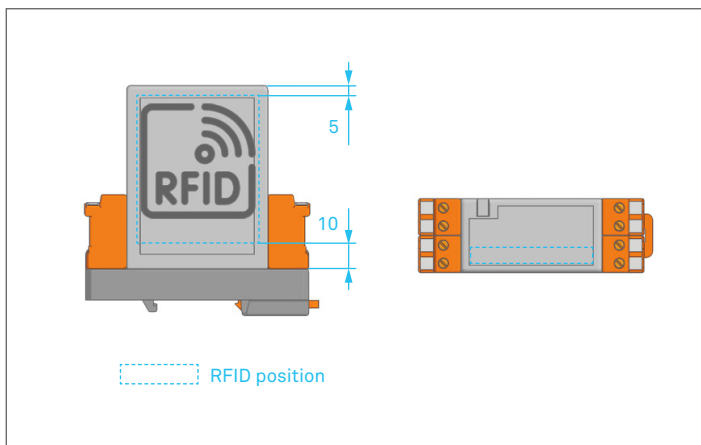
**Dimensions/mounting positions (mm)**



**Installation options**



**Installation position of the RFID**



### Wiring diagram/Characteristics

USB	Colour	Function
1	RD	V+
2	WH	Data -
3	GN	Data +
4	BK	V-

### Order numbers



Product series	
<b>A</b>	<b>1</b> – Siemens / SIMATIC RF1000 <b>2</b> – PHD ADMITTO / EBL <b>3</b> – rf IDEAS / WAVE ID Plus Mini <b>4</b> – HID Global / OMNIKEY

Installation variant	
<b>B</b>	* see order numbers overview (other installation variants on request)

Please insert code number.  
 (Installation of additional RF modules such as WiFi or Bluetooth possible on request)

### Service Address

**BARTEC GmbH**  
 Max-Eyth-Str. 16  
 97980 Bad Mergentheim  
 Germany

Phone: +49 7931 597 0  
 info@bartec.com  
 bartec.com

## MODEX RFID

### Bestellnummern Übersicht / Order numbers overview

#### Bestellnummern / Order numbers

0 7 - 7 3 2 2 - 9 3 C 1 A B B B

#### Produktserie / Product series A

- 1 – Siemens / SIMATIC RF1000
- 2 – PHD ADMITTO / EBL
- 3 – rf IDEAS / WAVE ID Plus Mini
- 4 – HID Global / OMNIKEY

#### Einbauvariante / Installation variant B

\* siehe Bestellnummern Übersicht / see order numbers overview

#### \*Bestellnummern Übersicht / Order numbers overview

Built in RFID-Series	Einbautyp / built in type	Typ Nr. / type no.	Materialnummer / material no.
SIEMENS RF 1000	RF 1070 R	07-7322-93C11010	480481
SIEMENS RF 1000	RF 1060 R	07-7322-93C11020	480558
SIEMENS RF 1000	RF1040 R	07-7322-93C11030	480559
PHD ADMITTO / EBL	EBL-A-1200-D-advant USB-CDC	07-7322-93C12010	480561
rf IDEAS / WAVE ID Plus Mini	RDR-80532BK0	07-7322-93C13010	480560
HID Global / OMNIKEY	R50220318-DB	07-7322-93C14010	481116